

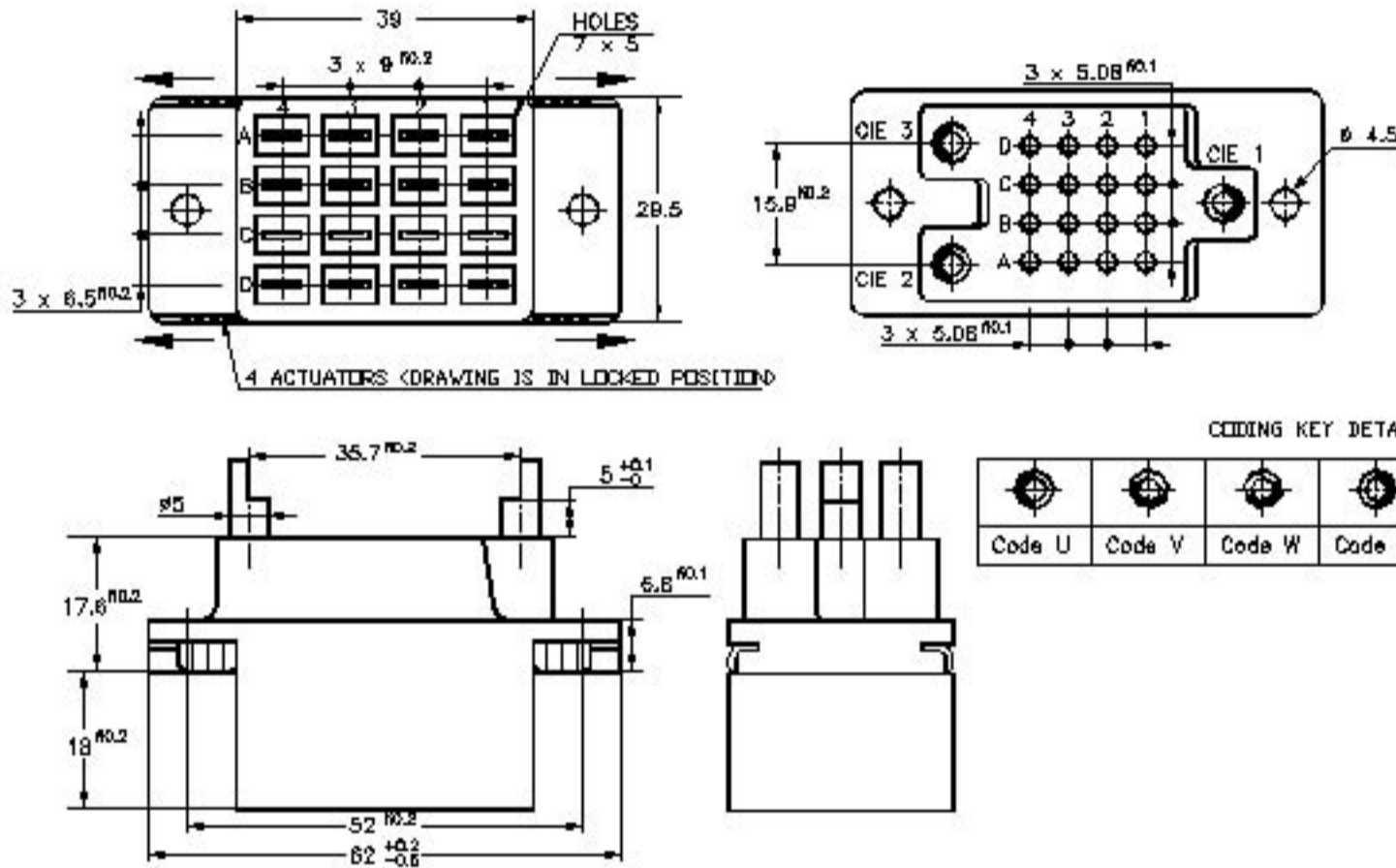
ENGINEERING DATA SHEET

SERIES SF402-1F

RAILWAY SOCKET
BASE - H MOUNTING STYLE



BASIC SOCKET SERIES DESIGNATION FOR:
Series F472, FD472, THLOR, THLM, THLC, THLAO



GENERAL CHARACTERISTICS

Base for F472 relay series with H mounting style.
Foolproof mounting of the relay ensured by 3 keys according to NF F 62-002-2 FF n°8

Connections by 5 mm tabs according to ST363C

Contact Resistance	<5 mΩ
Maximum Current	15 Amps
Dielectric Strength	2625 Vrms / 50 HZ
Insulation Resistance	> 1000 MΩ at 100 Vdc
Weight	70 grams



Featuring **LEACH**® power and control solutions
www.esterline.com

AMERICAS
6900 Orangethorpe Ave.
P.O. Box 5032
Buena Park, CA 90622

EUROPE
2 Rue Goethe
57430 Sarralbe
France

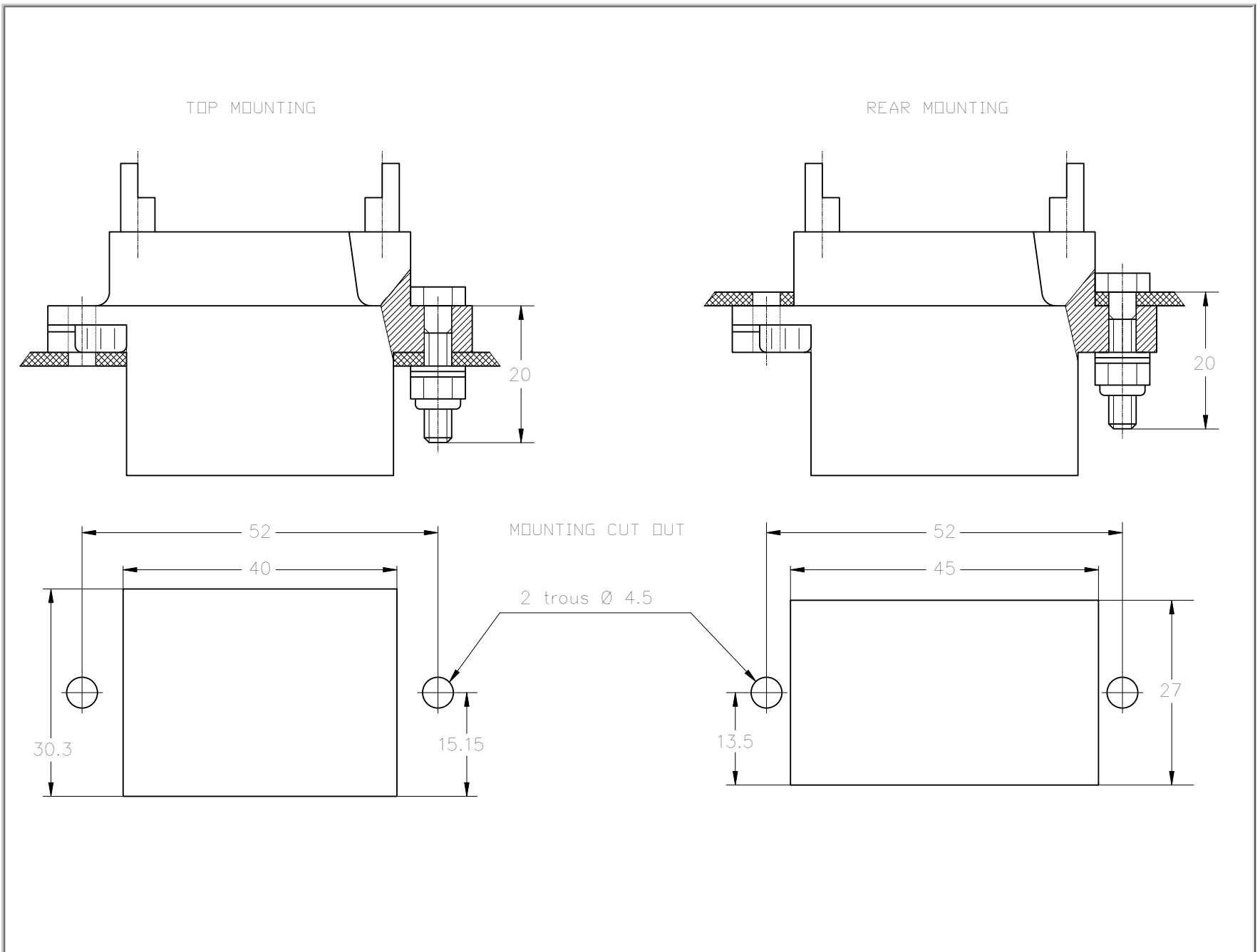
ASIA
Units 602-603 6/F Lakeside 1
No.8 Science Park West Avenue
Phase Two, Hong Kong Science Park
Pak Shek Kok, Tai Po, N.T.
Hong Kong

Tel: (01) 714-736-7599
Fax: (01) 714-670-1145

Tel: (33) 3 87 97 31 01
Fax: (33) 3 87 97 96 86

Tel: (852) 2 191 3830
Fax: (852) 2 389 5803

Data sheets are for initial product selection and comparison. Contact Esterline Power Systems prior to choosing a component.



- Hardware:** (supplied with socket)
- 2 studs M4 - 2 self-locking nuts M4
 - 2 flat washers - 2 crinkle washers.