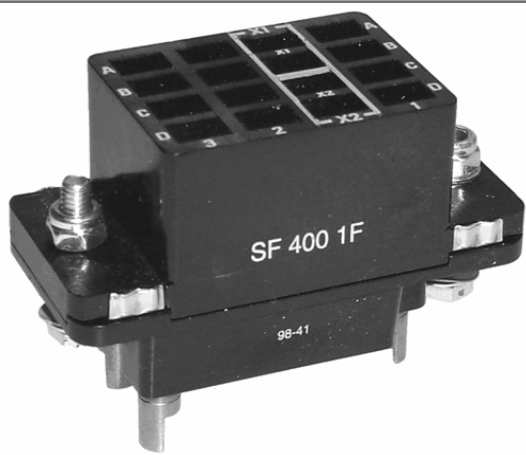


# ENGINEERING DATA SHEET

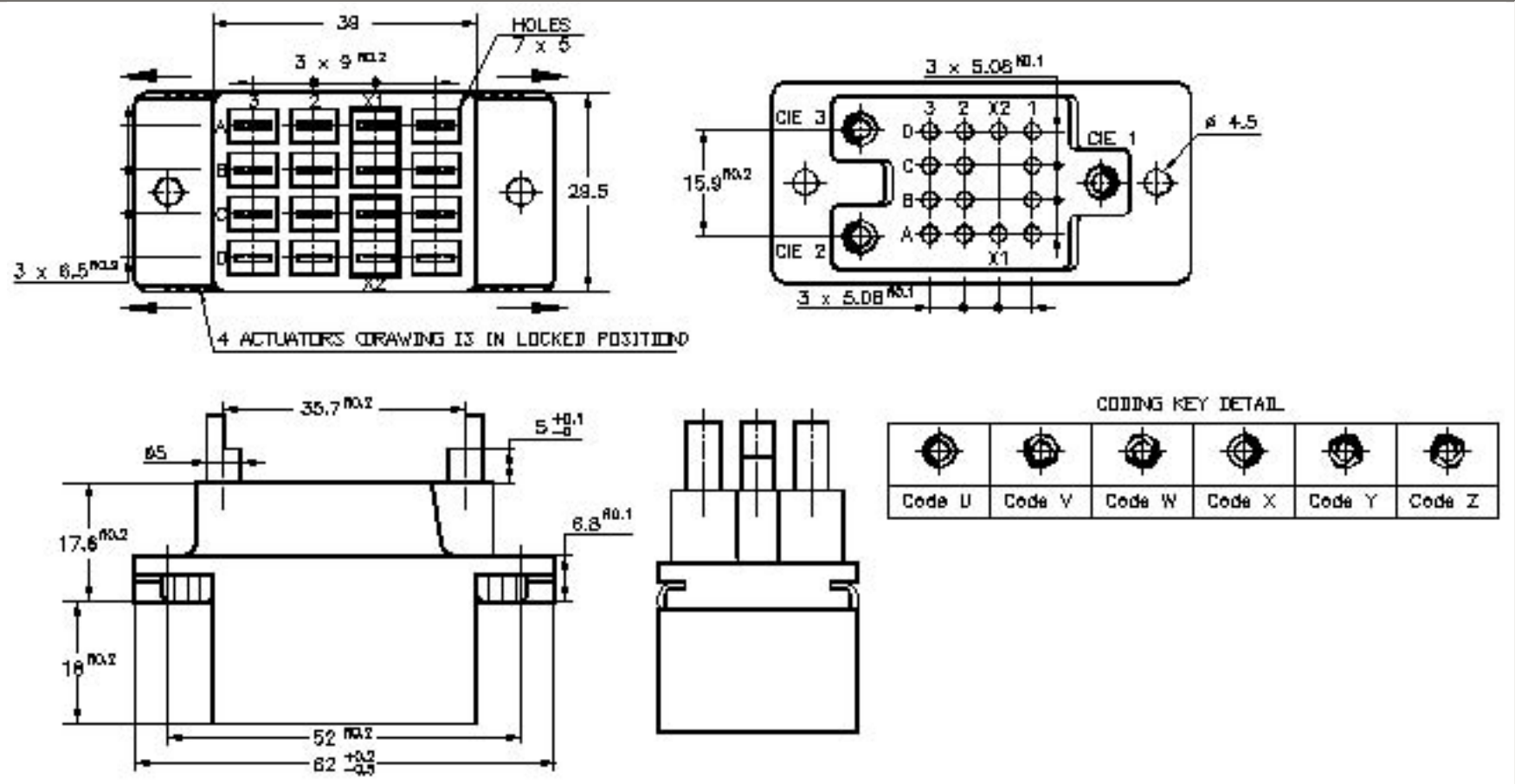
# SERIES SF400-1F

RAILWAY SOCKET  
BASE - H MOUNTING STYLE



BASIC SOCKET SERIES DESIGNATION FOR:

**SERIES F470, FD470, F470S1**



## GENERAL CHARACTERISTICS

Base for F470 relay series with H mounting style.

Foolproof mounting of the relay ensured by 3 keys according to NF F 62-002-2 FF n°8

Connections by 5 mm tabs according to ST363C

Contact Resistance	< 5 mΩ
Maximum Current	15 Amps
Dielectric Strength	2625 Vrms / 50 HZ
Insulation Resistance	> 1000 MΩ at 100 Vdc
Weight	70 grams



Featuring **LEACH**® power and control solutions  
www.esterline.com

**AMERICAS**  
6900 Orangethorpe Ave.  
P.O. Box 5032  
Buena Park, CA 90622

**EUROPE**  
2 Rue Goethe  
57430 Sarralbe  
France

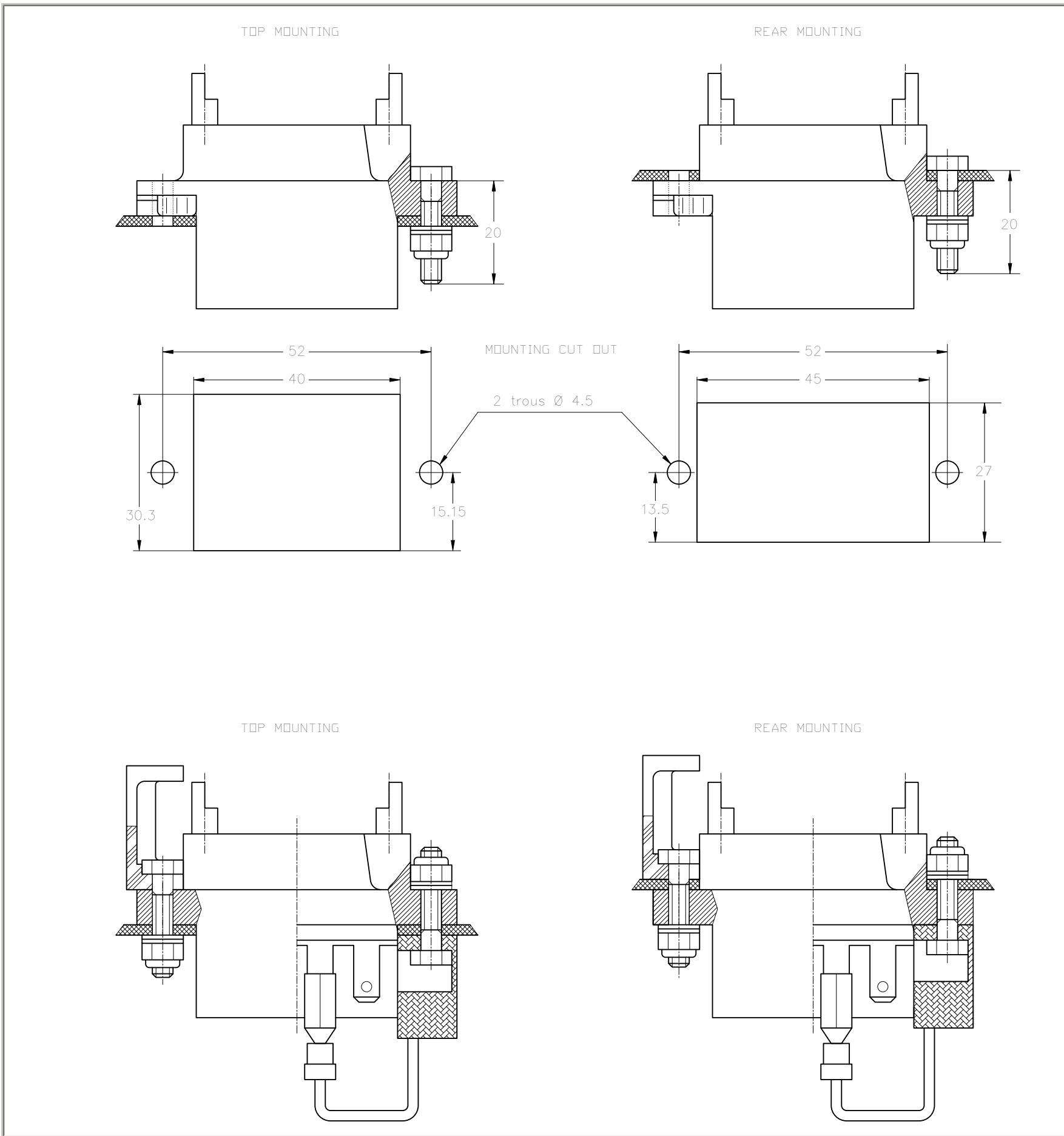
**ASIA**  
Units 602-603 6/F Lakeside 1  
No.8 Science Park West Avenue  
Phase Two, Hong Kong Science Park  
Pak Shek Kok, Tai Po, N.T.  
Hong Kong

Tel: (01) 714-736-7599  
Fax: (01) 714-670-1145

Tel: (33) 3 87 97 31 01  
Fax: (33) 3 87 97 96 86

Tel: (852) 2 191 3830  
Fax: (852) 2 389 5803

Data sheets are for initial product selection and comparison. Contact Esterline Power Systems prior to choosing a component.



**Note:** In case of simultaneous mounting of label holder and spikes suppression module, accessories are mounted on both side.