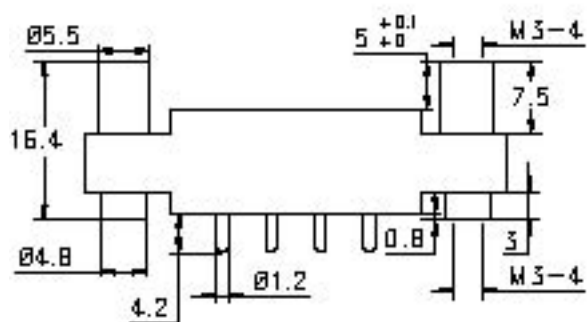


BASIC SOCKET SERIES DESIGNATION FOR:

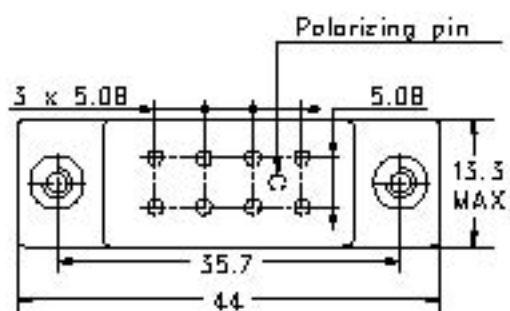
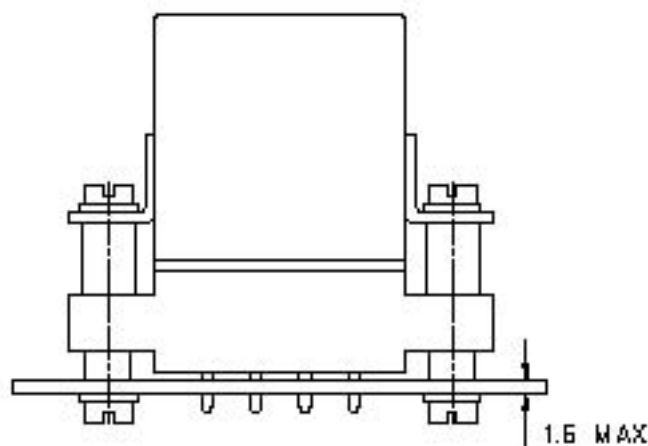
**SERIES F300, F370 FD370**

**Socket for printed circuit board mounting**

**DIMENSIONS**



**MOUNTING**



**GENERAL CHARACTERISTICS**

|                             |                      |
|-----------------------------|----------------------|
| Temperature range           | -55°C to +125°C      |
| Storage temperature         | -70°C to +150°C      |
| Insulation resistance       | > 1000 MΩ            |
| Dielectric strength         |                      |
| - Pins to mounting hardware | 1500 Vrms / 50 Hz    |
| - Between pins              | 1500 Vrms / 50 Hz    |
| Sinusoidal vibration        | 20 g / 10 to 2000 Hz |
| Shocks                      | 50 g / 11 ms         |
| Mounting hardware provided  | 4 screw M3-5         |



Featuring **LEACH**® power and control solutions  
www.esterline.com

**AMERICAS**  
6900 Orangethorpe Ave.  
P.O. Box 5032  
Buena Park, CA 90622

Tel: (01) 714-736-7599  
Fax: (01) 714-670-1145

**EUROPE**  
2 Rue Goethe  
57430 Sarralbe  
France

Tel: (33) 3 87 97 31 01  
Fax: (33) 3 87 97 96 86

**ASIA**  
Units 602-603 6/F Lakeside 1  
No.8 Science Park West Avenue  
Phase Two, Hong Kong Science Park  
Pak Shek Kok, Tai Po, N.T.  
Hong Kong

Tel: (852) 2 191 3830  
Fax: (852) 2 389 5803

Data sheets are for initial product selection and comparison. Contact Esterline Power Systems prior to choosing a component.