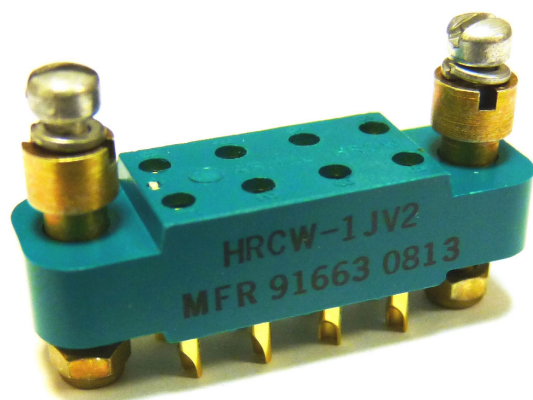


ENGINEERING DATA SHEET

HRCW RELAY SOCKET 2 AMP



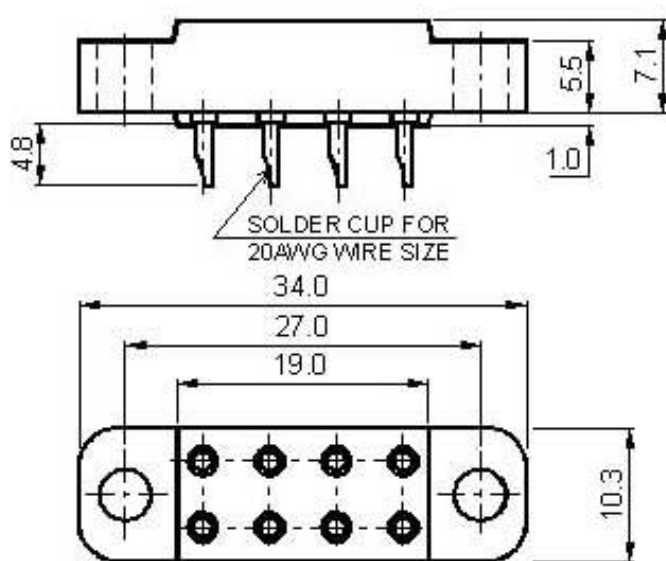
BASIC SOCKET SERIES DESIGNATION FOR:

SERIES F250, F257, W260, GP5, and 144

MEETS THE REQUIREMENTS OF:

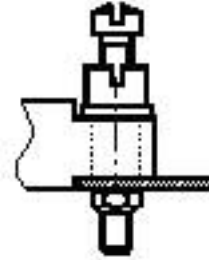
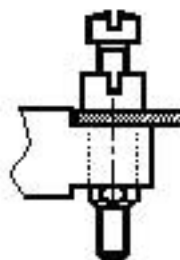
MIL-S-12883

DIMENSIONS

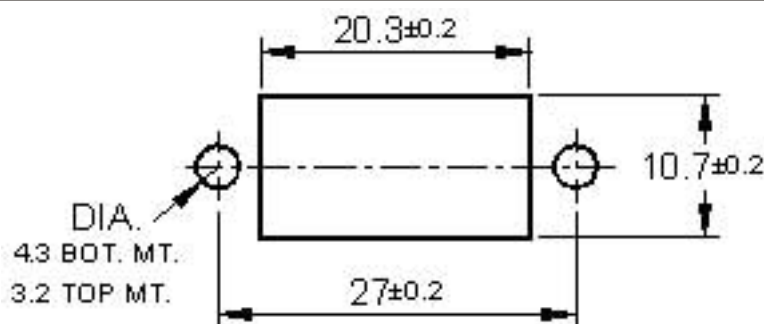


HRCW-1JV2
BOTTOM MOUNT

HRCW-22JV2
TOP MOUNT



PANEL THICKNESS: 1.6mm



GENERAL CHARACTERISTICS

Supplied with mounting hardware.

Temperature range

-65°C to +125°C

Weight

10 grams

Dielectric Strength at sea level

1500 Vrms / 50 Hz Minimum

Gold plated contact per MIL-G-45204

Diallyl phthalate, glass-fiber filled per MIL-M-14



Featuring **LEACH**® power and control solutions
www.esterline.com

AMERICAS
6900 Orangethorpe Ave.
P.O. Box 5032
Buena Park, CA 90622

Tel: (01) 714-736-7599
Fax: (01) 714-670-1145

EUROPE
2 Rue Goethe
57430 Sarralbe
France

Tel: (33) 3 87 97 31 01
Fax: (33) 3 87 97 96 86

ASIA
Units 602-603 6/F Lakeside 1
No.8 Science Park West Avenue
Phase Two, Hong Kong Science Park
Pak Shek Kok, Tai Po, N.T.
Hong Kong

Tel: (852) 2 191 3830
Fax: (852) 2 389 5803

Data sheets are for initial product selection and comparison. Contact Esterline Power Systems prior to choosing a component.