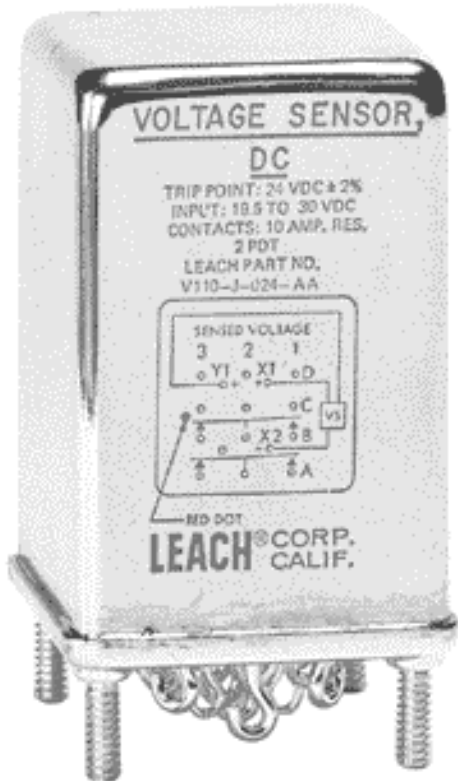


ENGINEERING DATA SHEET

SERIES V110

DC VOLTAGE SENSOR
2PDT OR 4PDT, 10 AMP



APPLICABLE SOCKETS:
[SO-1021-7127/7126](http://www.esterline.com/so-1021-7127/7126)

FEATURES AND CHARACTERISTICS

- Contacts: 2 PDT or 4 PDT
- Hermetically sealed
- Weight: 10 oz. max.
- Sensing range: 1 thru 50 Vdc
- Temperature range: -55°C to +125° C
- Custom units available

GENERAL SPECIFICATIONS

Input voltage	19.5 to 30 Vdc
Pick-up time	50 ms, max.
Drop-out time	50 ms, max.
Sensing accuracy	±2% through ±10%
Configuration and contact rating	2 PDT, 2 Amps or 10 Amps; 4 PDT, 10 Amps
Temperature range	-55° C to + 125° C
Maximum operating current	75 milliamperes
Voltage transients	PER MIL-STD-704A, CAT.B
Operating cycles at rated resistive load	100,000 cycles min.
Vibration	0.06" D.A., 5 to 80 Hz, 20 g, 80 to 2000 Hz
Shock	50 g, 11 ± 1 ms, 1/2 sine, 3 axes
Acceleration	20 g in any axis
Finish	Tin Plate PER MIL-T-10727
Detailed ordering information	See next page



Featuring **LEACH**® power and control solutions
www.esterline.com

AMERICAS
6900 Orangethorpe Ave.
P.O. Box 5032
Buena Park, CA 90622

Tel: (01) 714-736-7599
Fax: (01) 714-670-1145

EUROPE
2 Rue Goethe
57430 Sarralbe
France

Tel: (33) 3 87 97 31 01
Fax: (33) 3 87 97 96 86

ASIA
Units 602-603 6/F Lakeside 1
No.8 Science Park West Avenue
Phase Two, Hong Kong Science Park
Pak Shek Kok, Tai Po, N.T.
Hong Kong
Tel: (852) 2 191 3830
Fax: (852) 2 389 5803

Data sheets are for initial product selection and comparison. Contact Esterline Power Systems prior to choosing a component.

	Options							
	V110	-	K	-	016	-	C	A
Basic series designation: DC voltage sensor, V110 can size _____								
1-Output Configuration: K series relay, 4 PDT, 10 Amps Res, @28 Vdc _____								
2-Trip point: 16 Vdc _____								
3-Temperature And Accuracy: -55° C to +85° C, ±10% _____								
4-Mounting Style And Terminals: Style A _____								

1. SERIES NUMBER

Indicates physical dimensions and weight
V110 1.53 x 1.53 x 2.34 wt 10 oz. max

2. OUTPUT CONFIGURATION, CONTACT RATINGS

MIL-PRF-83536 TYPE

J 2 PDT, Leach series J relay, 10 Amp resistive,
@28 Vdc and 115 Vac, 400 Hz

K 4 PDT, Leach series K relay, 10 Amp resistive,
@28 Vdc and 115 Vac, 400 Hz

NOTE: For additional data on contact ratings, contact the factory.

3. VOLTAGE TRIP POINT

Sensing range: 1 Vdc to 50 Vdc
Specify trip point within indicated sensing range, specify by using three digits, e.g.

Trip Point: 16 Vdc
Specify: 016

4. TEMPERATURE RANGE AND ACCURACY

Code Letter	Temp, Range	Trip Point Accuracy
A	-55° To +85°C	±2%
B	-55° To +85°C	±5%
C	-55° To +85°C	±10%
D	-55° To +125°C	±5%
E	-55° To +125°C	±10%

5. MOUNTING STYLES AND TERMINALS

See next page

NOTES

1. Operating Mode

The output relay energizes when the voltage is above the trip point and de-energizes when the voltage drops below the trip point.

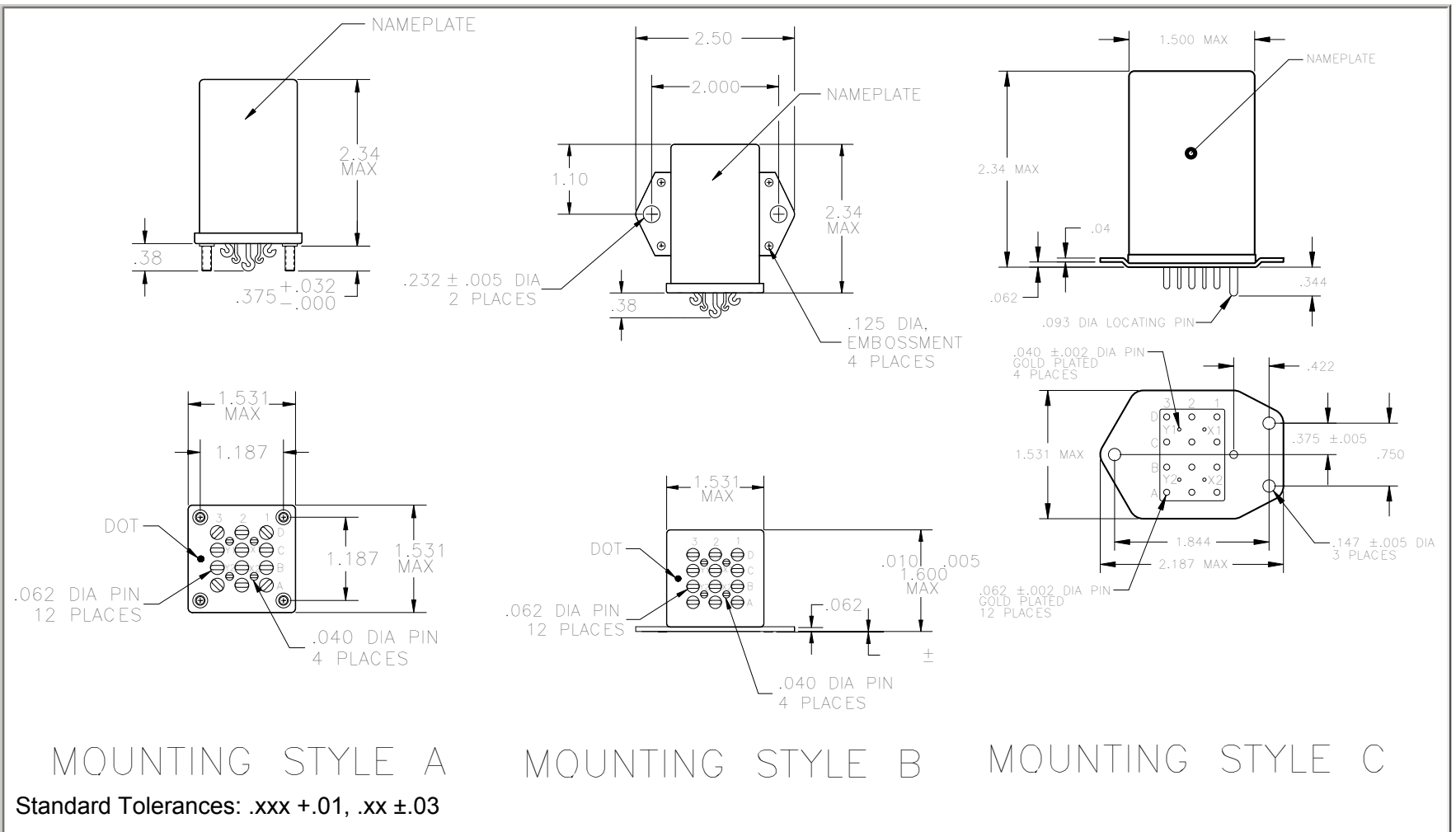
2. Dielectric Strength

Input to case	1,000 Vrms
2 Amp contacts	
contacts to case	1,000 Vrms
Across open contacts	500 Vrms
10 Amp contacts	
contacts to case	1,250 Vrms
Across open contacts	1,250 Vrms

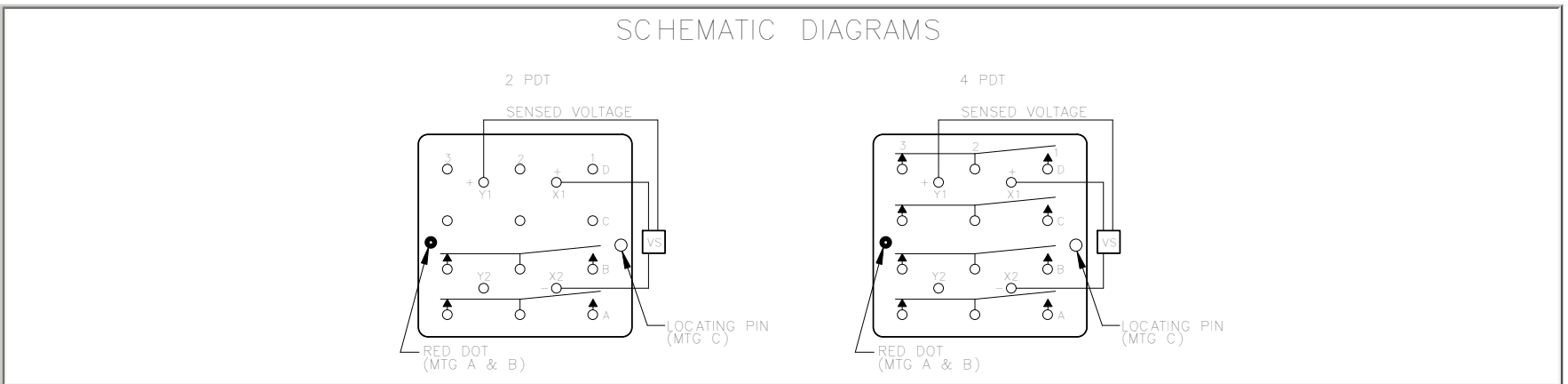
3. Hysteresis

Units have a typical hysteresis of 0.5% to eliminate cycling due to small changes in voltage at the trip point.

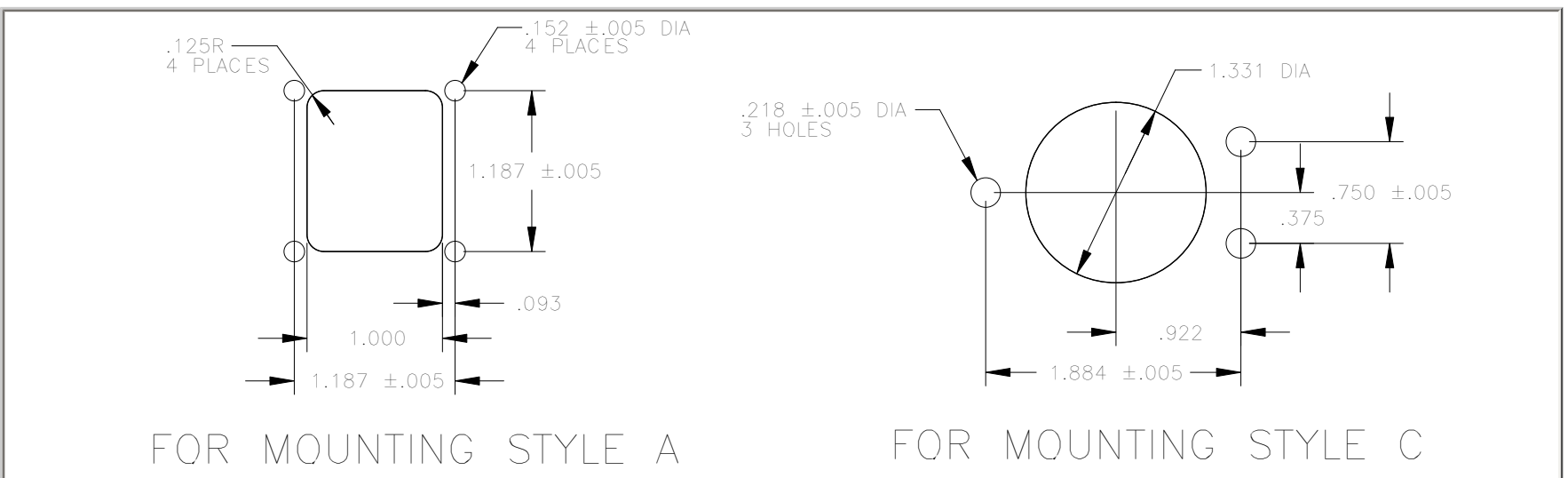
4. Contact factory for voltage sensor requirements not covered in this publication.



SCHEMATIC DIAGRAM



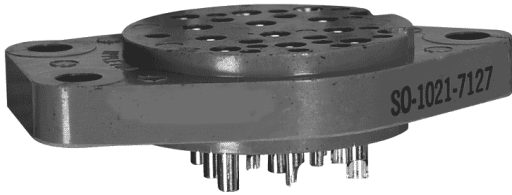
MOUNTING DIMENSIONS



SO-1021-7127/7126

ENGINEERING DATA SHEET

RELAY SOCKET
10 AMP



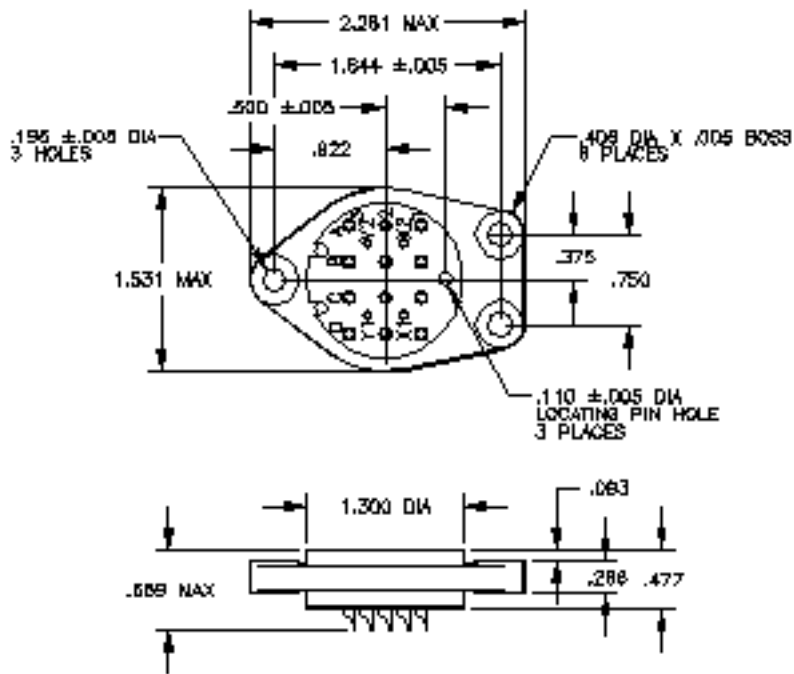
BASIC SOCKET SERIES DESIGNATION FOR:

Series V110, V210, V310, V710, F410, P510

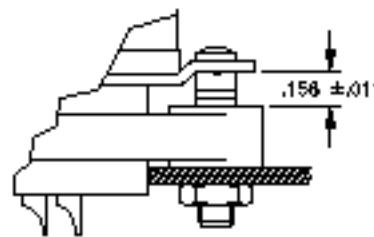
MEETS THE REQUIREMENTS OF:

MIL-DTL-12883

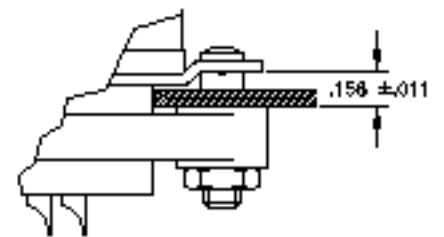
SOCKET DRAWING



HARDWARE MOUNTING



TOP MOUNTED



BOTTOM MOUNTED

GENERAL CHARACTERISTICS

1. Supplied with mounting hardware (SO-1021-7127) or without mounting hardware (SO-1021-7126).	
2. Standard tolerances	.xx ±.01; xxx ±.005.
3. Weight	.080 lb. max.
4. Temperature range	-55° C to +125° C



Featuring **LEACH**® power and control solutions
www.esterline.com

AMERICAS
6900 Orangethorpe Ave.
P.O. Box 5032
Buena Park, CA 90622

Tel: (01) 714-736-7599
Fax: (01) 714-670-1145

EUROPE
2 Rue Goethe
57430 Sarralbe
France

Tel: (33) 3 87 97 31 01
Fax: (33) 3 87 97 96 86

ASIA
Units 602-603 6/F Lakeside 1
No.8 Science Park West Avenue
Phase Two, Hong Kong Science Park
Pak Shek Kok, Tai Po, N.T.
Hong Kong

Tel: (852) 2 191 3830
Fax: (852) 2 389 5803

Data sheets are for initial product selection and comparison. Contact Esterline Power Systems prior to choosing a component.