

ENGINEERING DATA SHEET

CS400

CURRENT SENSING RELAY
2 PDT, 2 AMP



APPLICABLE SOCKET:
[SO-1048-8776/8779](#)

Electronic current sensing relay

Contact arrangement **2 PDT**
Power supply **28 Vdc**

PRINCIPLE TECHNICAL CHARACTERISTICS

Contacts rated at **2 Amps / 28 Vdc**
Weight **<0.154lbs**
Dimensions of case **1.73in x 1.01in x 1.02in max**

Hermetically sealed corrosion protected metal can

CONTACT ELECTRICAL CHARACTERISTICS

Minimum operating cycles	Contact rating per pole and load type	Load Current in Amps	
		@28Vdc	@115Vac/60-400Hz
100,000 cycles	resistive load	2	0.3
100,000 cycles	inductive load (L/R=5ms)	0.75	-
500,000 cycles	low level (30µA/30mV max)	-	-

NUMBERING SYSTEM

Basic series designation _____ | CS400 | XXX - XXX - A - X

1-Pick up current (3 digits) _____ | | | | |

2-Drop out current (3 digits) _____ | | | | |

3-Mounting style and terminal types (A,B,C) _____ | | | | |

4-Standard internal shunts (A,B,C,D) _____ | | | | |



Featuring **LEACH**® power and control solutions
www.esterline.com

AMERICAS
6900 Orangethorpe Ave.
P.O. Box 5032
Buena Park, CA 90622

Tel: (01) 714-736-7599
Fax: (01) 714-670-1145

EUROPE
2 Rue Goethe
57430 Sarralbe
France

Tel: (33) 3 87 97 31 01
Fax: (33) 3 87 97 96 86

ASIA
Units 602-603 6/F Lakeside 1
No.8 Science Park West Avenue
Phase Two, Hong Kong Science Park
Pak Shek Kok, Tai Po, N.T.
Hong Kong
Tel: (852) 2 191 3830
Fax: (852) 2 389 5803

Data sheets are for initial product selection and comparison. Contact Esterline Power Systems prior to choosing a component.

The first two digits are value in mAmps, last digit being number of zero.
 Example: 152 = 1500 mAmps = 1.5 Amp.

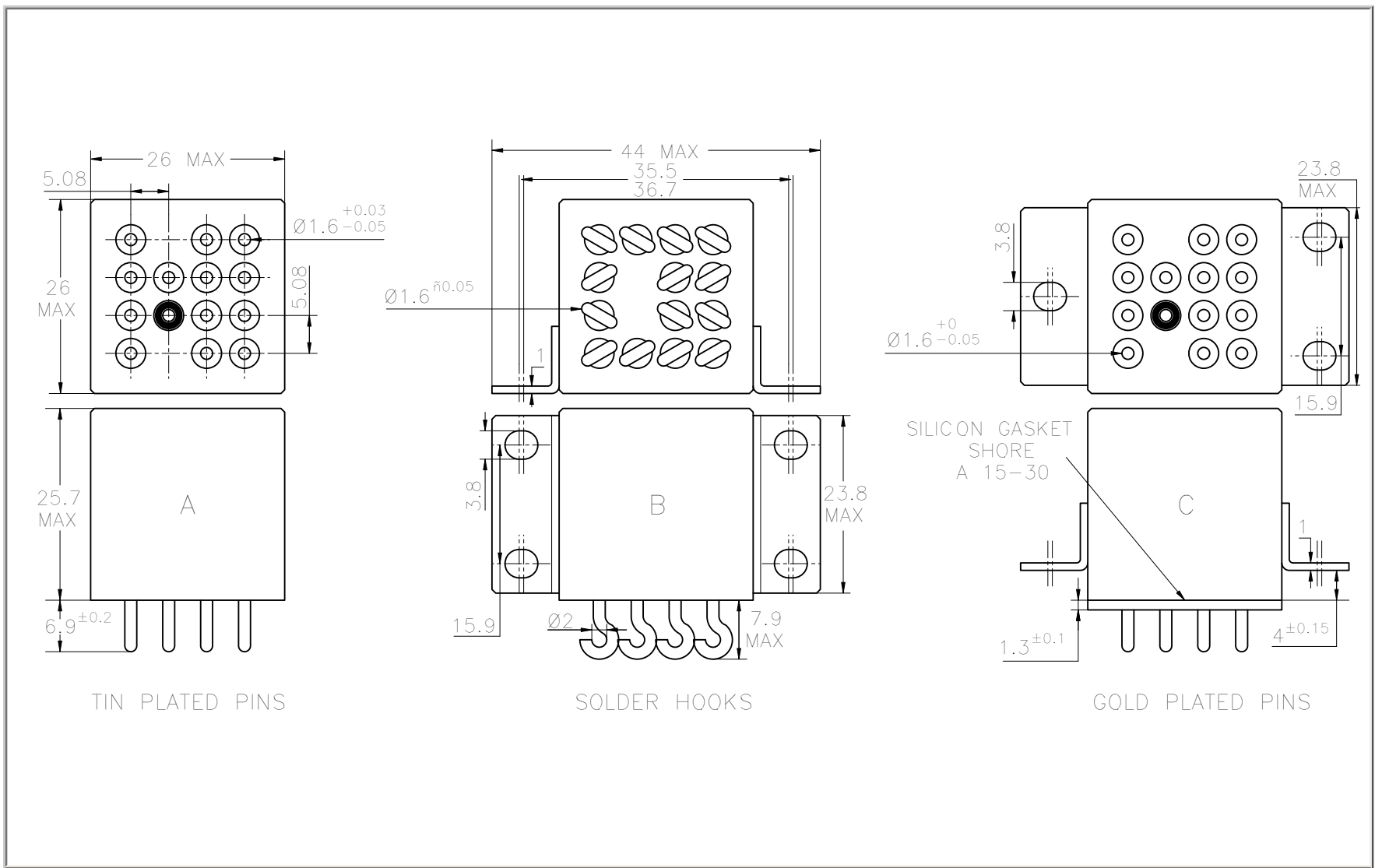
Pick up and drop out current have to be chosen within the limits given in the hereunder table.

TABLE OF SELECTION LIMITS FOR THE 4 STANDARD INTERNAL SHUNTS

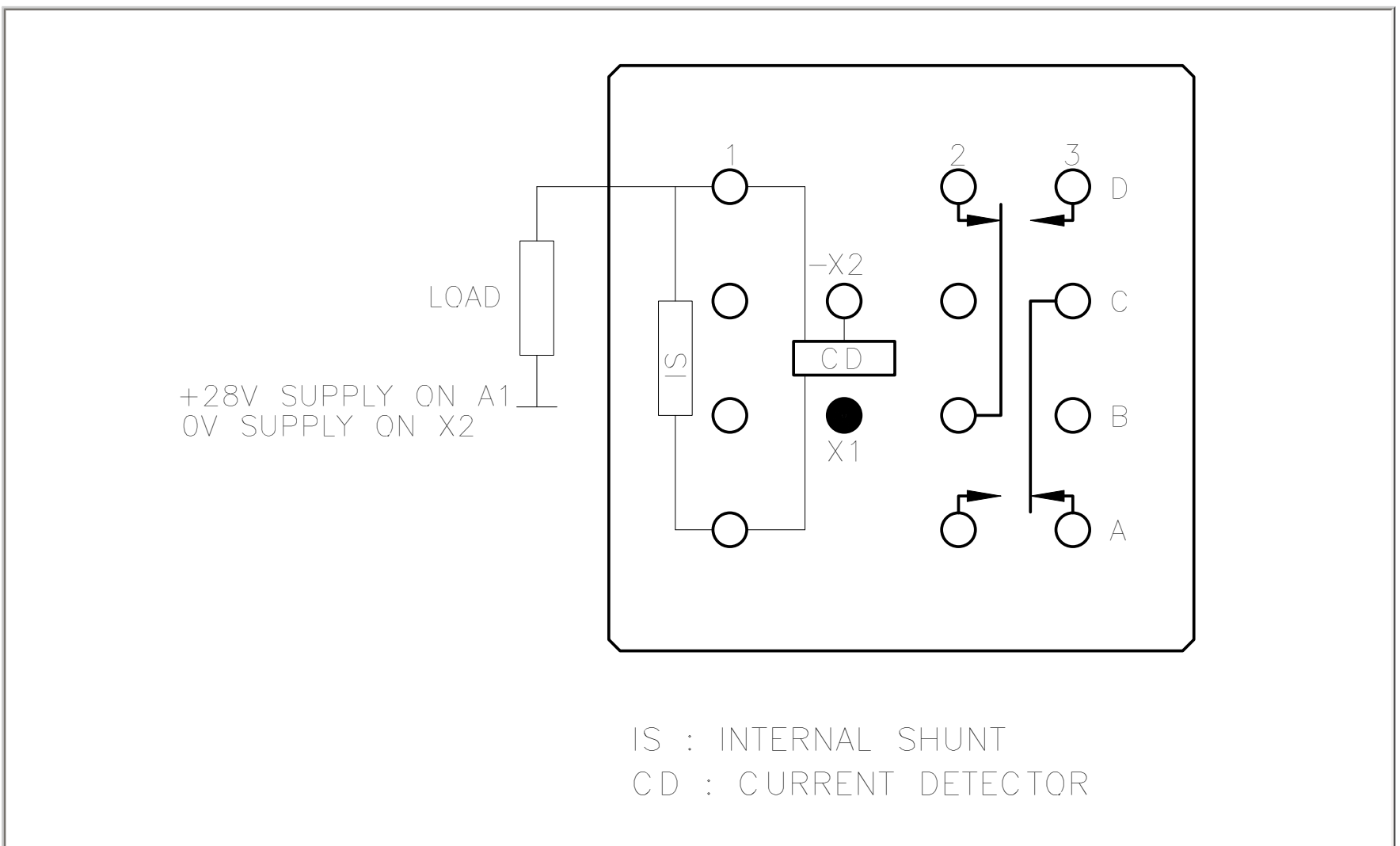
I _p I pick up max	I _d I drop out min	I _p -I _d Minimum delta	I _p -I _d Maximum delta	I continuous max	Internal shunt Resistance	Code
5.5 A	80 mA	160 mA	4 A	6 A	50 m Ω	A
9 A	200 mA	400 mA	7 A	10 A	20 m Ω	B
13 A	400 mA	800 mA	10 A	14 A	10 m Ω	C
19 A	800 mA	1600 mA	14 A	20 A	5 m Ω	D

Accuracy of pick up and drop out current selected in the P/N shall be ±5% within the temperature range.

MOUNTING STYLES AND TERMINAL TYPES



Dimensions in mm
 Tolerances unless otherwise specified ±0.25 mm

**GENERAL CHARACTERISTICS**

Storage temperature	- 65°C to + 125°C
Operating temperature	- 55°C to + 85°C
Operating voltage	18 to 32 Vdc (AIR norm 2021 E)
Current consumption	80 mA max
Dielectric strength at sea level	
- all pins connected together and can	1000 V / 50 Hz
- between open contacts	500 V / 50 Hz
Initial insulation resistance at 500 Vdc	greater than or equal to 100 MΩ
Sinusoidal vibration	15G / 70 to 3000 Hz
Shock	50G / 11 ms
Maximum contact opening time under vibration and shock	0.01 ms max
Undamaged against positive transients	+ 80 Vdc
Spike susceptibility	± 600 Vdc

NOTES

1. Relays with C mounting are compatible with socket families S 401, SF 401 ..
2. Isolation spacer pads for PCB mounting available on request.
3. For other mounting styles or terminal types, please contact the factory.

SO-1048-8776/8779

ENGINEERING DATA SHEET

RELAY SOCKET
10 AMP



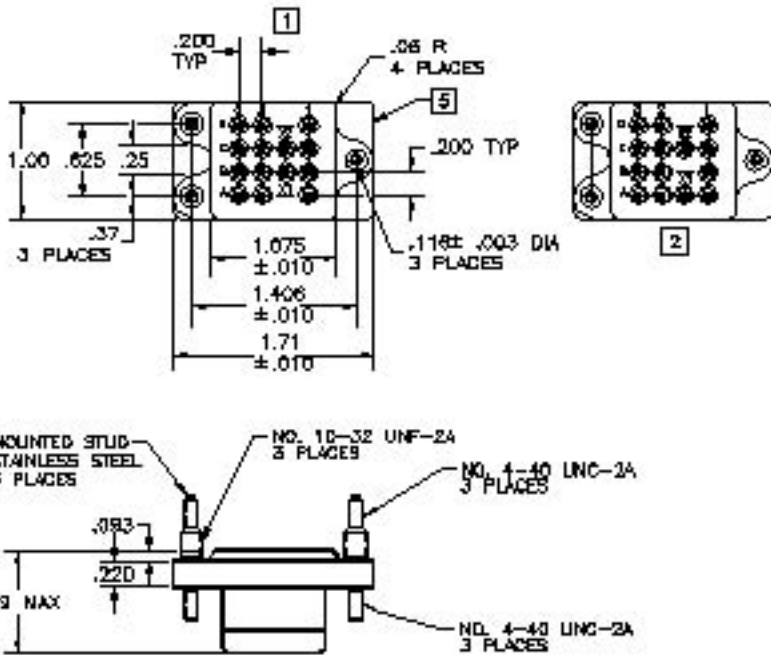
BASIC SOCKET SERIES DESIGNATION FOR:

Series KA, CS400

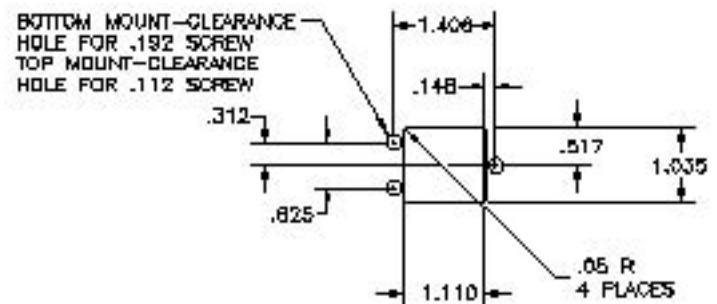
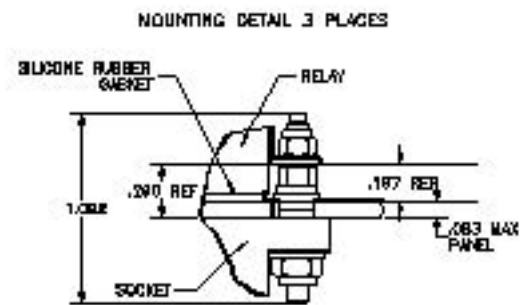
MEETS THE REQUIREMENTS OF:

MIL-DTL-12883

SOCKET DRAWING



HARDWARE MOUNTING



MOUNTING DIMENSIONS

GENERAL CHARACTERISTICS

[1] Supplied with mounting hardware No. 16 contacts, and No. 16 crimp for coil 115 Vac, rear release (SO-1048-8776)

[2] Supplied with mounting hardware No. 16 contacts, and No. 16 crimp for coil 28 Vac, rear release (SO-1048-8779)

3. Standard tolerances .xx ±.01; xxx ±.005.

4. Weight .132 lb. max

[5] Shape optional

6. Temperature range -70° C to +125° C



Featuring **LEACH**® power and control solutions
www.esterline.com

AMERICAS
6900 Orangethorpe Ave.
P.O. Box 5032
Buena Park, CA 90622

EUROPE
2 Rue Goethe
57430 Sarralbe
France

ASIA
Units 602-603 6/F Lakeside 1
No.8 Science Park West Avenue
Phase Two, Hong Kong Science Park
Pak Shek Kok, Tai Po, N.T.
Hong Kong

Tel: (01) 714-736-7599
Fax: (01) 714-670-1145

Tel: (33) 3 87 97 31 01
Fax: (33) 3 87 97 96 86

Tel: (852) 2 191 3830
Fax: (852) 2 389 5803

Data sheets are for initial product selection and comparison. Contact Esterline Power Systems prior to choosing a component.