

APPLICATION NOTES:
[103G](#)

Rotary Design Power Contactor
 Designed to the performance standards of

MIL-PRF-6106

PRINCIPLE TECHNICAL CHARACTERISTICS

Contacts rated at **28 Vdc; 115 Vac, 60/400 Hz, 1Ø 115/200 Vac, 60/400 Hz, 3Ø**
 Weight **1.75 lb max**
 Dimensions **3.62in x 3.62in x 2.87in**
 Special units available upon request, including models with auxiliary contacts.

CONTACT ELECTRICAL CHARACTERISTICS

Contact rating per pole and load type [1]	Load current in Amps					
	28 Vdc	115 Vac 400 Hz	115 Vac 60 Hz	115/200 Vac 400 Hz	115/200 Vac 60 Hz	440 Vac 60 Hz DELTA
Resistive	100	100	50	100	50	50
Inductive	100	100	50	100	50	-
Motor [3]	100	100	50	100	50	-



Featuring **LEACH**® power and control solutions
www.esterline.com

AMERICAS
 6900 Orangethorpe Ave.
 P.O. Box 5032
 Buena Park, CA 90622

Tel: (01) 714-736-7599
 Fax: (01) 714-670-1145

EUROPE
 2 Rue Goethe
 57430 Sarralbe
 France

Tel: (33) 3 87 97 31 01
 Fax: (33) 3 87 97 96 86

ASIA
 Units 602-603 6/F Lakeside 1
 No.8 Science Park West Avenue
 Phase Two, Hong Kong Science Park
 Pak Shek Kok, Tai Po, N.T.
 Hong Kong

Tel: (852) 2 191 3830
 Fax: (852) 2 389 5803

Data sheets are for initial product selection and comparison. Contact Esterline Power Systems prior to choosing a component.

COIL CHARACTERISTICS (Vdc)**SERIES 9207**

CODE	Vdc	115 Vac 400 Hz	115 Vac 60 Hz
Nominal operating voltage	28	115	115
Maximum operating voltage	29	124	124
Pick-up voltage, max.	18	95	95
Drop-out voltage, max.	7	35	30
Coil resistance ohms $\pm 10\%$ at +25° C	44.5	-	-
Coil current max. mA at +25° C	-	200	200

GENERAL CHARACTERISTICS

Temperature range	-55°C to +85°C
Minimum operating cycles (life) at rated load	50,000
Minimum operating cycles (life) at 25% rated load	100,000
Dielectric strength at sea level	
All circuits to ground and circuit to circuit	1,500 Vrms
Coil to ground	1,250 Vrms
Dielectric strength at altitude 50,000 ft	500 Vrms
Insulation resistance (at 500 Vdc) minimum	100 M Ω min
Sinusoidal vibration (55-500 Hz)	10G
Shock (6-9 millisecond duration)	50G
Maximum contact opening time under shock or vibration	2 μ s
Operate time at nominal voltage	
- DC	30 ms max
Release time at nominal voltage	
- DC	30 ms max
- AC	50 ms max
Weight, max.	1.75 lb

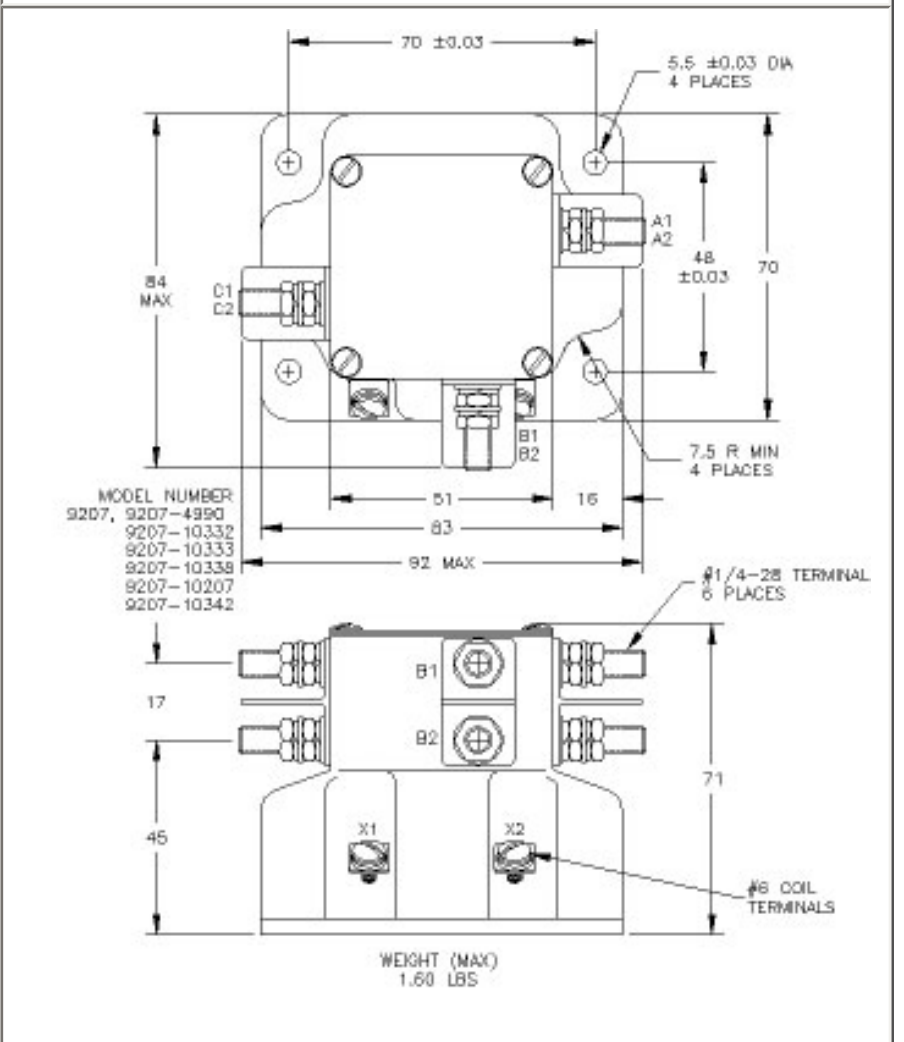
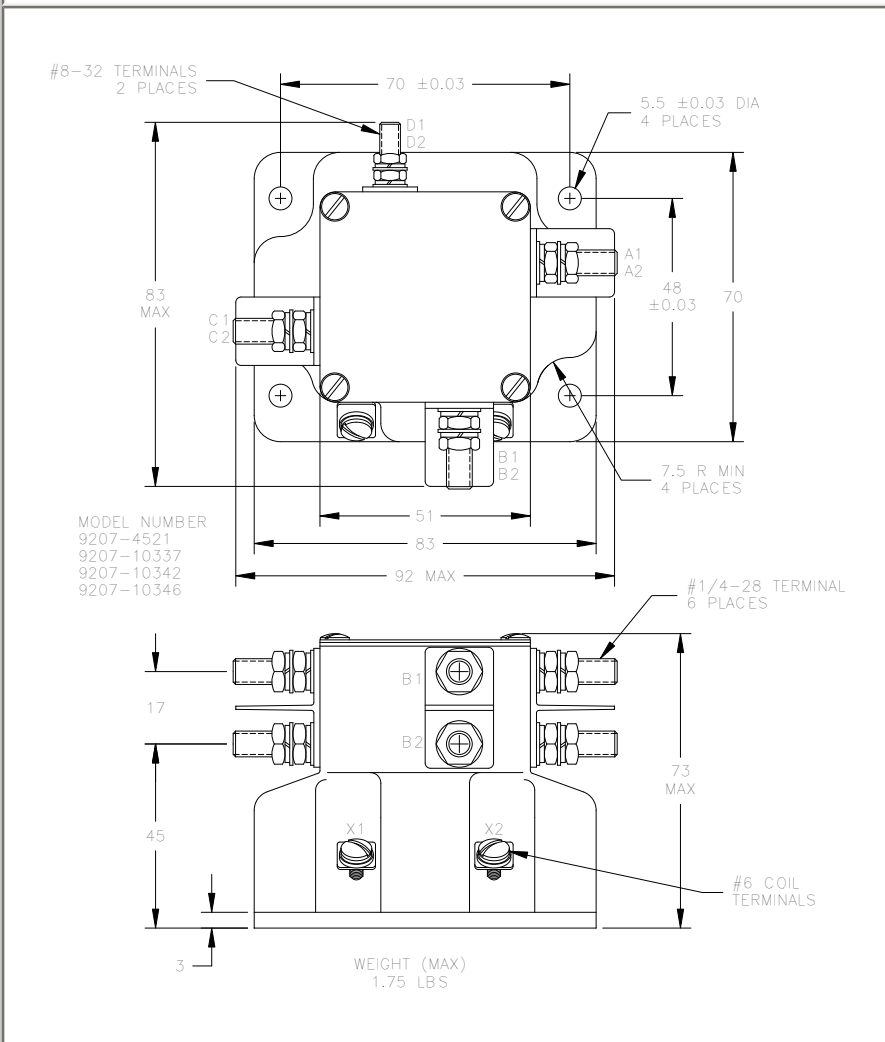
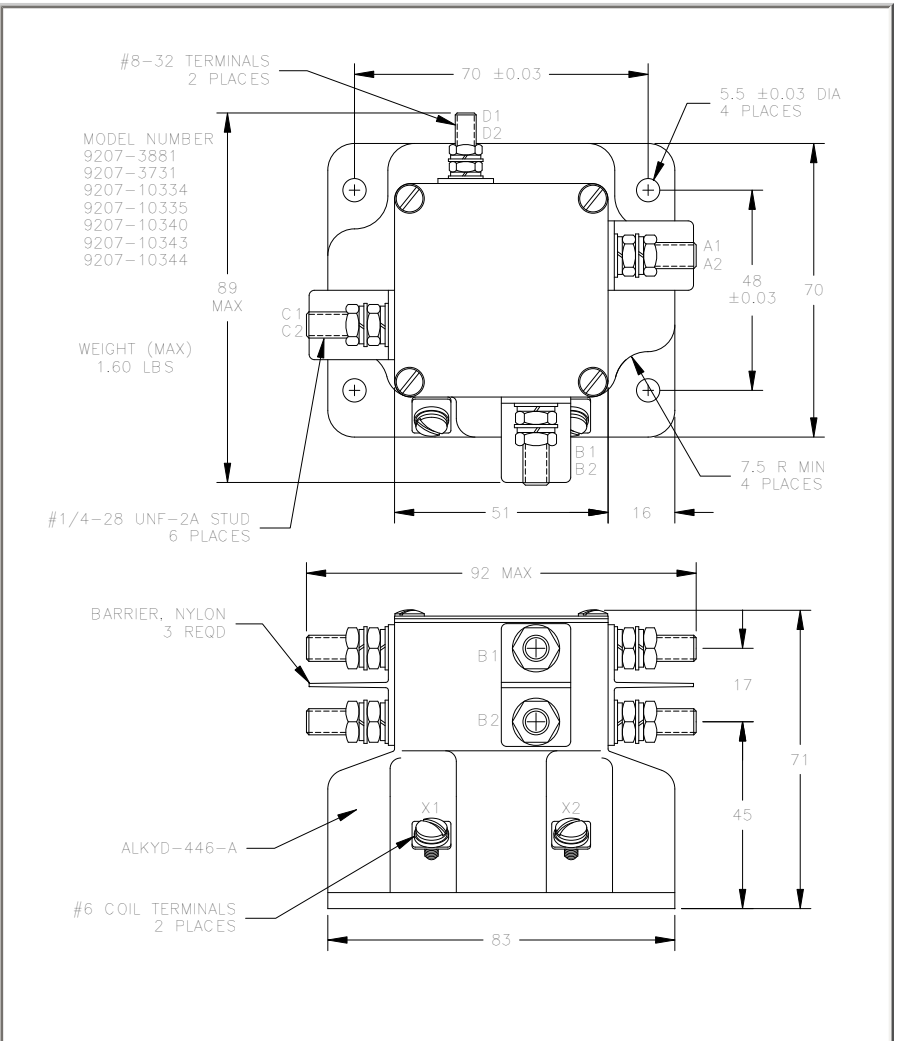
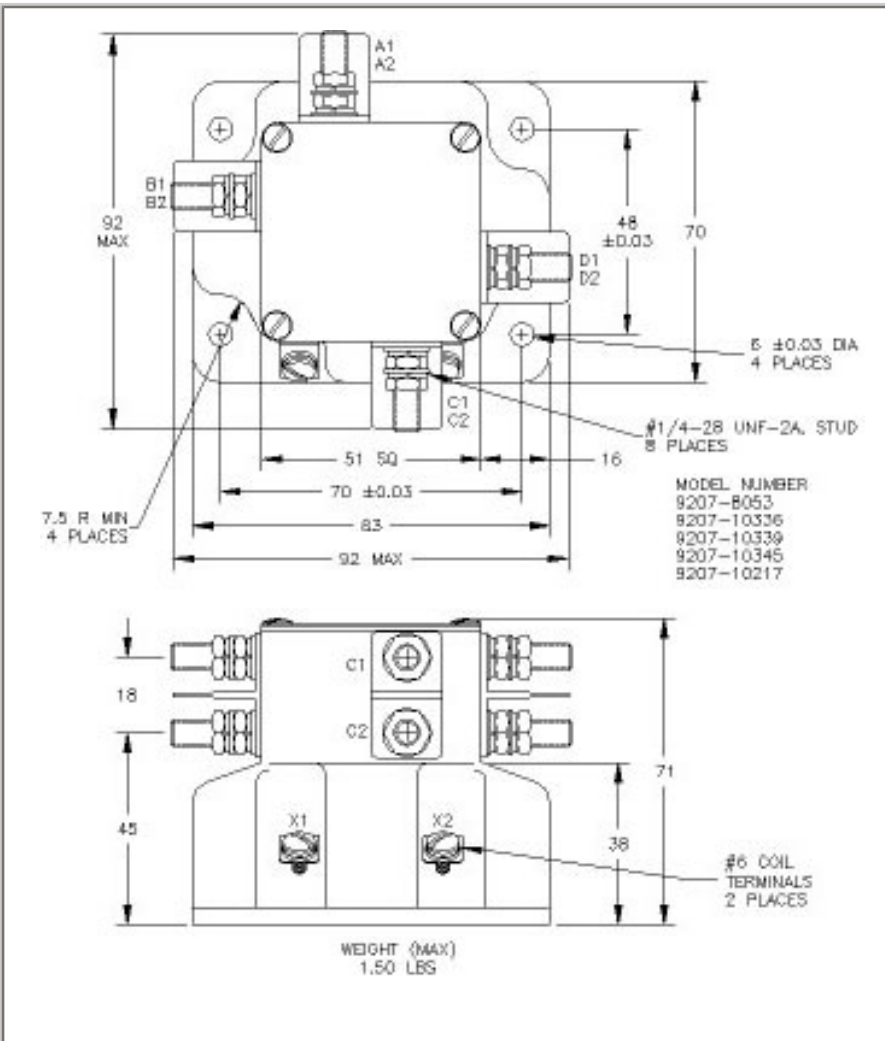
STANDARD ITEMS					
28 VDC		115 VAC/400 Hz		115 VAC/60 Hz	
LEACH PART NO.	CONTACT CONF.	LEACH PART NO.	CONTACT CONF.	LEACH PART NO.	CONTACT CONF.
9207-3731	3 PST-DM 1 PST-N.O. AUX	9207	3 PST-DM 1 PST-N.O. AUX	9207-4990	3 PST-DM
9207-8053	2 PDT-DB-DM	9207-3881	3 PST-DM 1 PST-N.O. AUX	9207-10217	2 PDT-DB-DM
9207-10207	3 PST-DM	9207-4521	3 PST-DM 1 PST-N.C. AUX		
D.S.C.C. PART NO. [1]		COIL VOLTAGE		CONTACT CONFIGURATION	
84192-001		28 VDC		3 PST-DM	
84192-002		115 VAC 60 Hz		3 PST-DM	
84192-003		28 VDC		3 PST-DM; 1 PST-N.O. AUX	
84192-004		115 VAC 60 Hz		3 PST-DM; 1 PST-N.O. AUX	
84192-005		115 VAC 60 Hz		2 PDT-DB-DM	
84192-006		28 VDC		3 PST-DM; 1 PST-N.C. AUX	
84192-007		28 VDC		3 PST-DM	
84192-008		28 VDC		2 PDT-DB-DM	
84192-009		28 VDC		3 PST-DM; 1 PST-N.O. AUX	
84192-010		28 VDC		3 PST-DM; 1 PST-N.C. AUX	
84192-011		115 VAC 400 Hz		3 PST-DM	
84192-012		115 VAC 60 Hz		3 PST-DM; 1 PST-N.O. AUX	
84192-013		115 VAC 400 Hz		3 PST-DM; 1 PST-N.O. AUX	
84192-014		115 VAC 400 Hz		2 PDT-DB-DM	
84192-015		115 VAC 400 Hz		3 PST-DM; 1 PST-N.C. AUX	

NOTES

- [1] Defense Supply Center Columbus.
- 2. See page three and four for configurations and schematics.
- [3] Motor load inrush limited to 400 Amp.

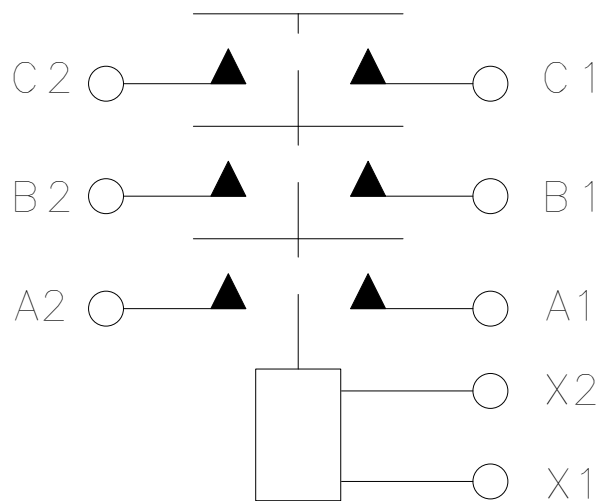
CONFIGURATION

SERIES 9207



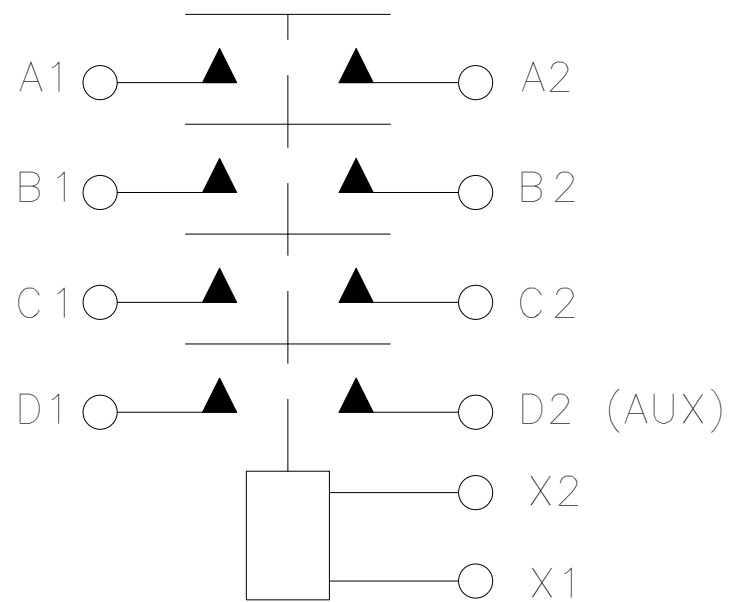
<p>Standard Terminal Hardware Per Applicable Stud</p>	<p>#8-32 UNC-2A Stud MS35649-282 Nut MS35338-42 Lockwasher AN960-8L Washer</p>	<p>#1/4-28 UNC-2A Stud AN316-4R Nut MS35338-44 Lockwasher AN960-416L Flat Washer</p>	<p>MS35338-41 Lockwasher AN960-6 Washer</p>
--	--	---	--

CONTACT CONFIGURATION
3PST-DM



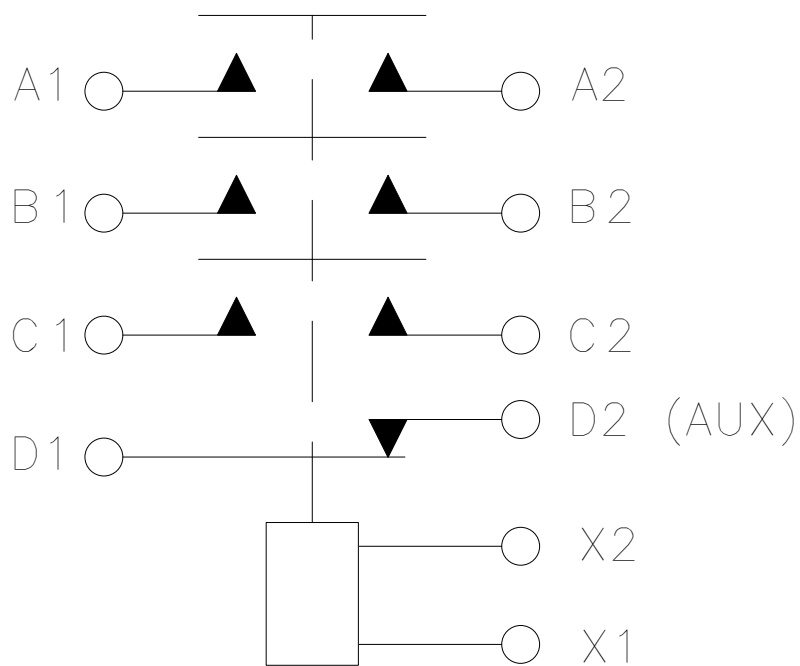
MODEL NUMBER
9207-4990
9207-10207
9207-10332
9207-10333
9207-10338
9207-10342

CONTACT CONFIGURATION
4PST-DM



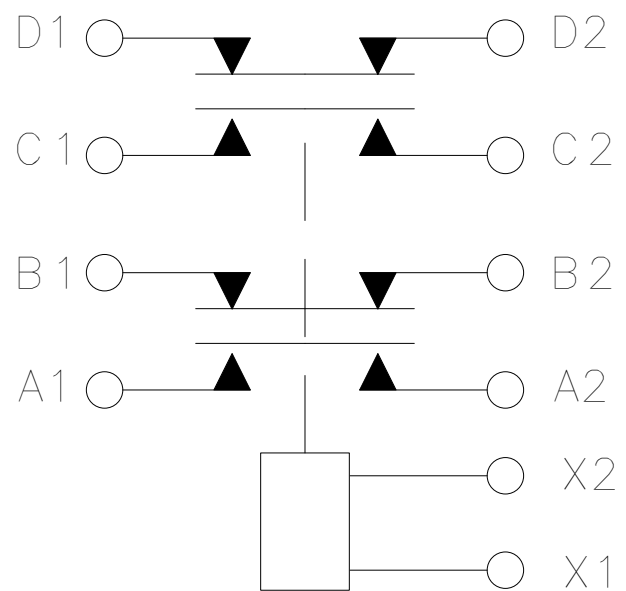
MODEL NUMBER
9207-3731
9207-3881
9207-10334
9207-10335
9207-10340
9207-10343
9207-10344

CONTACT CONFIGURATION
3PST-DM+1PST-NC AUX



MODEL NUMBER
9207-4521
9207-10337
9207-10341
9207-10346

CONTACT CONFIGURATION
2PDT-DB-DM



MODEL NUMBER
9207-8053
9207-10217
9207-10336
9207-10339
9207-10345

**CURVES FOR DC VOLTAGES ABOVE NORMAL RATING: RESISTIVE LOAD ONLY
(without arc suppression)**

