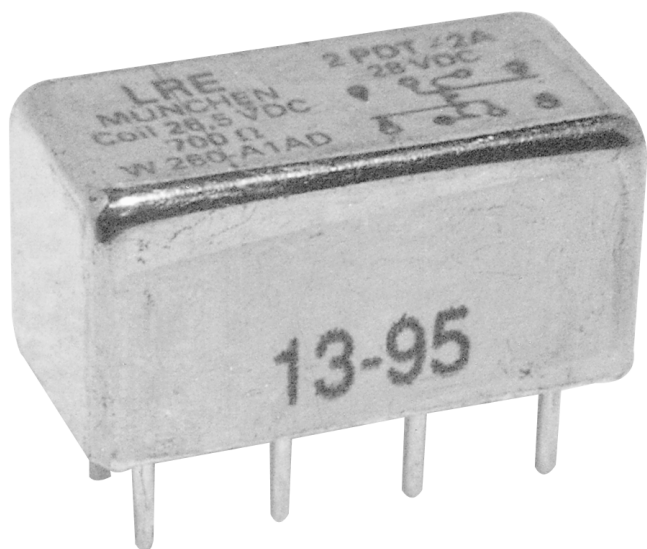


# ENGINEERING DATA SHEET

# W260

RELAY - NONLATCH  
2 PDT, 2 AMP



**APPLICATION NOTES:**

[001](#)  
[007](#)

**APPLICABLE SOCKETS:**

[HRCW](#)  
[SO9005](#)  
SF250-R4

Non polarized, non latching hermetically sealed relay

Contact arrangement     **2 PDT**  
Coil supply                 **Direct current**  
Qualified to                 **MIL-PRF-39016/6**

**PRINCIPLE TECHNICAL CHARACTERISTICS**

Contacts rated at         **2 Amp / 28Vdc**  
Weight                     **10 grams max**  
Dimensions of case       **20.6mm x 12.5m x 10.4mm max**  
Hermetically sealed, corrosion protected metal can.

**CONTACT ELECTRICAL CHARACTERISTICS**

Minimum operating cycles	Contact rating per pole and load type	Load Current in Amps	
		@28Vdc	@115Vac/60-400Hz
100,000 cycles 100,000 cycles	resistive load	2	0.3
	inductive load (0.2H)		
100,000 cycles 1,000,000 cycles cycles	---Type 1	0.75	-
	---Type 2	0.5	-
	lamp load	0.16	-
	low level (10mA/50mV max)	-	-
100 cycles	resistive overload	4	-



Featuring **LEACH**® power and control solutions  
[www.esterline.com](http://www.esterline.com)

**AMERICAS**  
6900 Orangethorpe Ave.  
P.O. Box 5032  
Buena Park, CA 90622

Tel: (01) 714-736-7599  
Fax: (01) 714-670-1145

**EUROPE**  
2 Rue Goethe  
57430 Sarralbe  
France

Tel: (33) 3 87 97 31 01  
Fax: (33) 3 87 97 96 86

**ASIA**  
Units 602-603 6/F Lakeside 1  
No.8 Science Park West Avenue  
Phase Two, Hong Kong Science Park  
Pak Shek Kok, Tai Po, N.T.  
Hong Kong  
Tel: (852) 2 191 3830  
Fax: (852) 2 389 5803

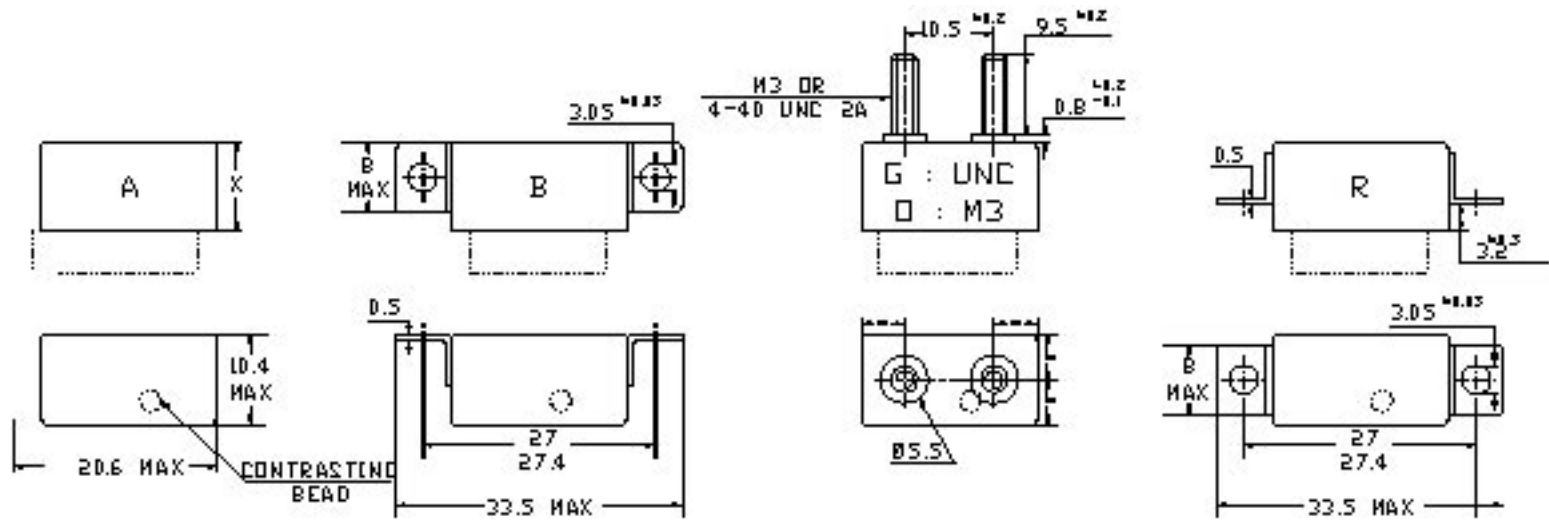
Data sheets are for initial product selection and comparison. Contact Esterline Power Systems prior to choosing a component.

**COIL CHARACTERISTICS (Vdc)****W260**

<b>CODE</b>	<b>A</b>	<b>B</b>	<b>C</b>	<b>D</b>	<b>E</b>	<b>F</b>	<b>N</b>
Nominal operating voltage	26.5	12	6	36	48	60	26.5
Maximum operating voltage	32	15	7.5	42	56	70	32
Maximum pickup voltage at +125° C	18	9	4.5	24	36	40	18
Guaranteed drop-out voltage at -65° C	1	0.5	0.25	2	2.5	3.5	1
Coil resistance in $\Omega$ $\pm 10\%$ at +25° C	700	160	40	1250	2500	3500	700
Back EMF suppression to (Vdc)	N/A	N/A	N/A	N/A	N/A	N/A	-42

**GENERAL CHARACTERISTICS**

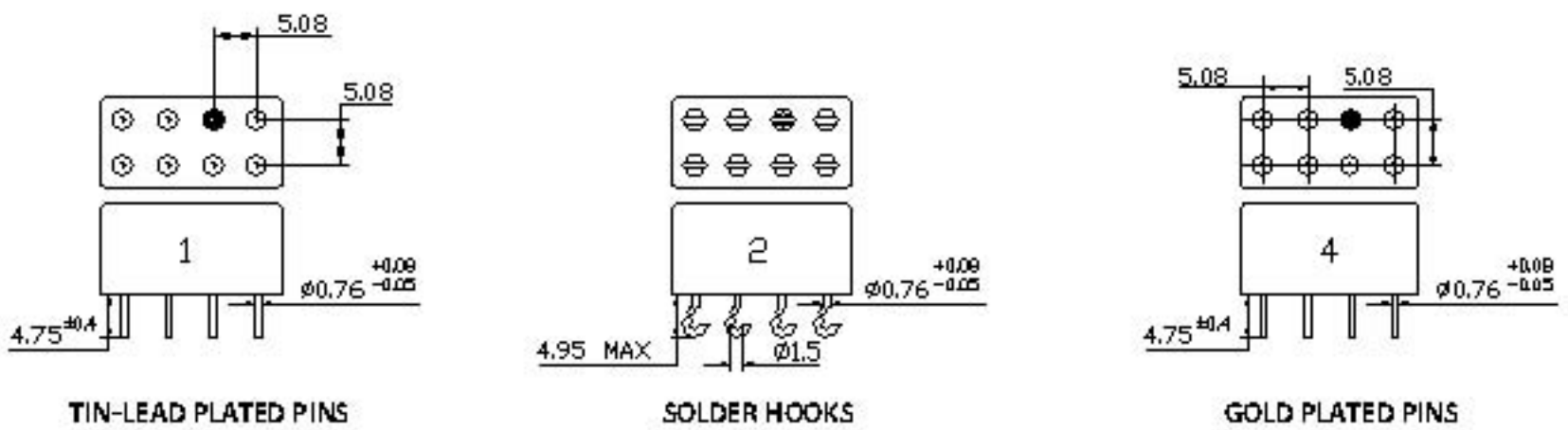
Temperature range	-65°C to +125°C
Dielectric strength at sea level all points	500 Vrms / 50 Hz
Dielectric strength at altitude 25,000 m, all terminals to ground	350 Vrms / 50 Hz
Initial insulation resistance at 100 Vdc	>10000 M $\Omega$
Sinusoidal vibration (except N coil)	30 G / 10 to 3000 Hz
Sinusoidal vibration (only N coil)	20 G / 75 to 2000 Hz
Shock	100 G / 6 ms
Maximum contact opening time under vibration and shock	10 $\mu$ s
Operate time at nominal voltage	4 ms max
Release time	4 ms max
Bounce time	2 ms max
Contact resistance at nominal current	50 m $\Omega$ max

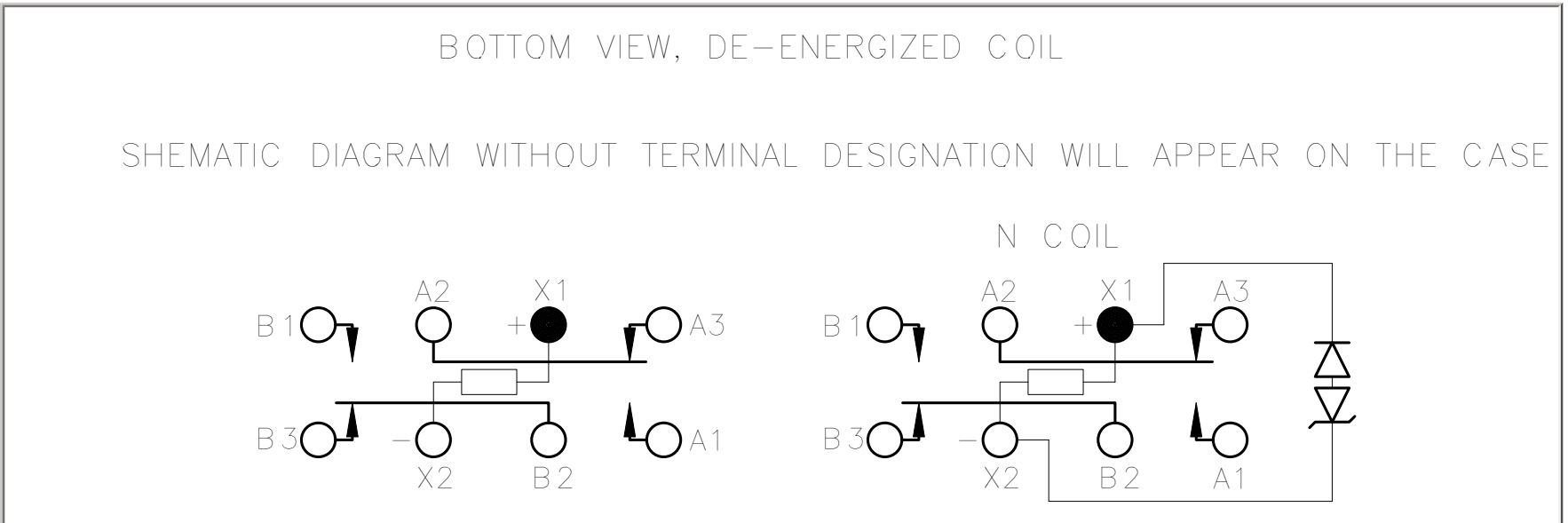


DIMENSION X FOR A, B, C, D, E, F COILS : 10.4 MAX  
 FOR N COIL : 12.5 MAX

Dimensions in mm  
 Tolerances unless otherwise specified  $\pm 0.25\text{mm}$

TERMINAL TYPES





**NUMBERING SYSTEM**

	W260	*	*	*	***	*	*
Basic series designation _____							
1-Mounting Style (A,B,G,O,R) _____							
2-Terminal Types(1,2,4) _____							
3-Coil Voltage (A,B,C,D,E,F,N) _____							
4-Standard Version (blank); 004 (qualified to MIL-R-39016/6) _____							
5-Failure Rate L,M,P,R (only for 004) _____							
6-Contact Data 1,2, (See page 1 for Type) _____							

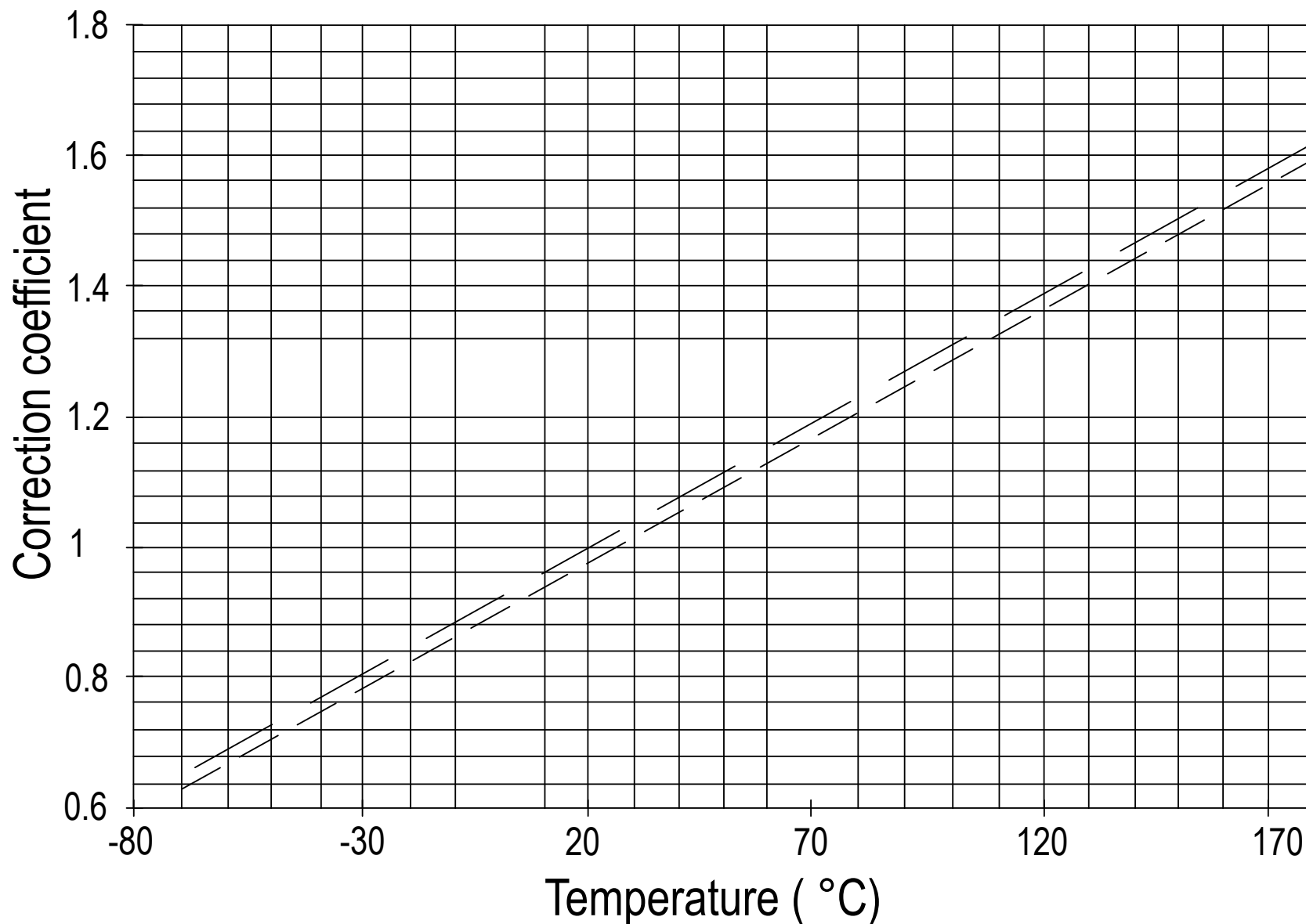
**NOTES**

1. Socket:
  - 1.2 HRCW - 1M With mounting hardware and solder connections.
  - 1.2 SF 250 R4 With mounting hardware and crimping contacts.
  - 1.3 SO-9005 for printed circuit board.
2. Isolation spacer pads for PCB mounting available on request
3. Ultra sonic cleaning may adversely effect the normally closed contacts

**TYPICAL CHARACTERISTICS**

- Coil L/R ratio for all coil = 1.5 ms
- Coil resistance/temperature change: See application note no. 001

**CORRECTION DUE TO COIL COPPER WIRE RESISTANCE  
CHANGE IN TEMPERATURE**



— — Nominal Resistance at 25°C

———— Nominal Resistance at 20°C

Example: Coil resistance at 25°C: 935 ohms. What is it at 125°C?

Correction coefficient on diagram is: 1.39 at 125°C. R becomes:  $935 \times 1.39 = 1299$  Ohms

Correction also applies to operating voltages

## SUPPRESSOR DEVICES FOR RELAY COILS

The inductive nature of relay coils allows them to create magnetic forces which are converted to mechanical movements to operate contact systems. When voltage is applied to a coil, the resulting current generates a magnetic flux, creating mechanical work. Upon deenergizing the coil, the collapsing magnetic field induces a reverse voltage (also known as back EMF) which tends to maintain current flow in the coil. The induced voltage level mainly depends on the duration of the deenergization. The faster the switch-off, the higher the induced voltage.

All coil suppression networks are based on a reduction of speed of current decay. This reduction may also slow down the opening of contacts, adversely effecting contact life and reliability. Therefore, it is very important to have a clear understanding of these phenomena when designing a coil suppression circuitry.

### Typical coil characteristics

On the graph below, the upper record shows the contacts state. (High level NO contacts closed, low level NC contacts closed, intermediate state contact transfer). The lower record shows the voltage across the coil when the current is switched off by another relay contact.

The surge voltage is limited to -300V by the arc generated across contact poles. Discharge duration is about 200 microseconds after which the current change does not generate sufficient voltage. The voltage decreases to the point where the contacts start to move, at this time, the voltage increases due to the energy contained in the NO contact springs. The voltage decreases again during transfer, and increases once more when the magnetic circuit is closed on permanent magnet.

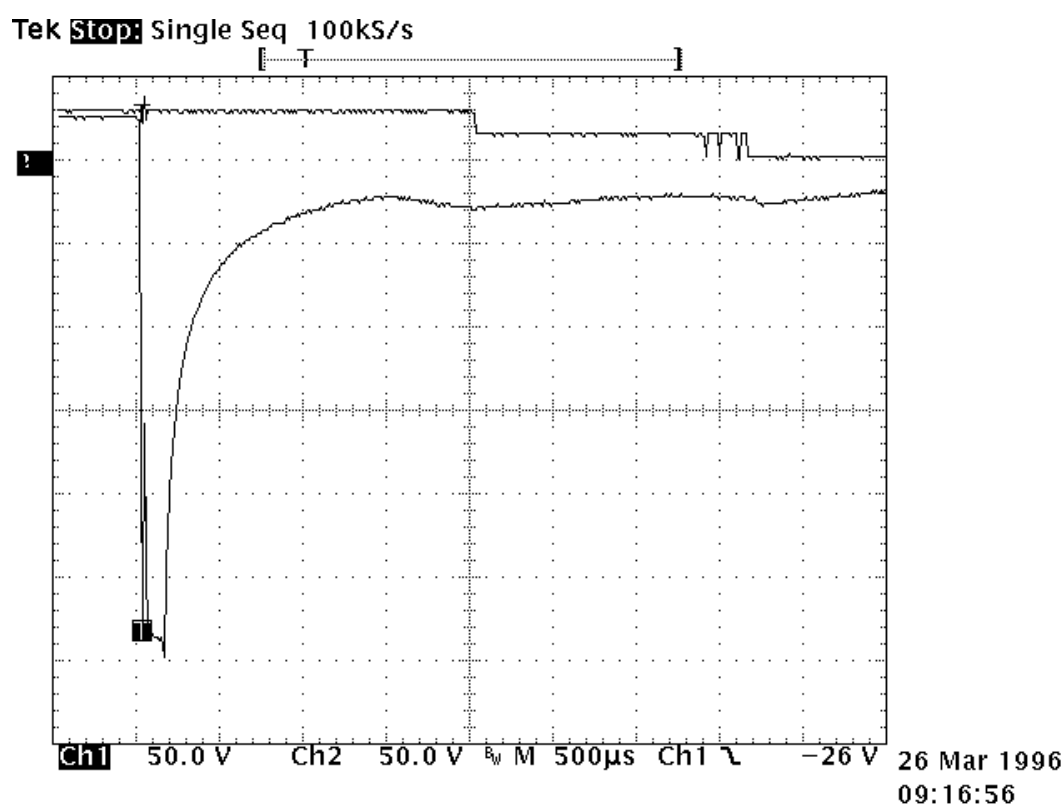
Operating times are as follows:

Time to start the movement 1.5ms

Total motion time 2.3ms

Transfer time 1.4ms

Contact State



## Types of suppressors:

### Passive devices.

#### The resistor capacitor circuit

It eliminates the power dissipation problem, as well as fast voltage rises. With a proper match between coil and resistor, approximate capacitance value can be calculated from:

$C = 0.02 \times T/R$ , where

T = operating time in milliseconds

R = coil resistance in kiloOhms

C = capacitance in microFarads

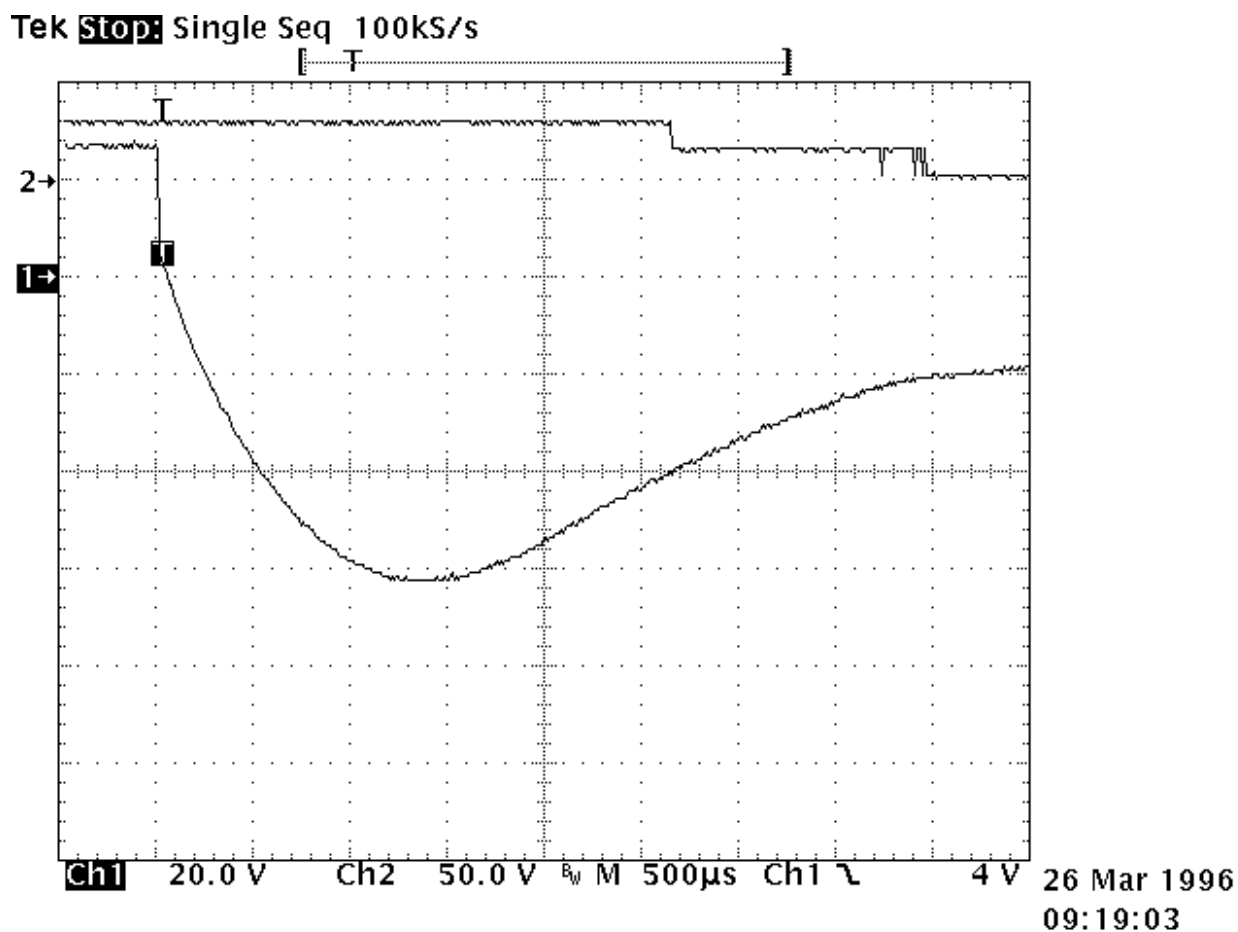
The series resistor must be between 0.5 and 1 times the coil resistance. Special consideration must be taken for the capacitor inrush current in the case of a low resistance coil.

The record shown opposite is performed on the same relay as above. The operation time becomes:

- time to start the movement 2.3ms

- transfer time 1.2ms

The major difficulty comes from the capacitor volume. In our example of a relay with a  $290 \Omega$  coil and time delay of 8 ms, a capacitance value of  $C=0.5 \mu\text{F}$  is found. This non polarized capacitor, with a voltage of 63V minimum, has a volume of about  $1\text{cm}^3$ . For 150V, this volume becomes  $1.5 \text{cm}^3$ .



### The bifilar coil

The principle is to wind on the magnetic circuit of the main coil a second coil shorted on itself. By a proper adaptation of the internal resistance of this second coil it is possible to find an acceptable equilibrium between surge voltage and reduction of the opening speed. To be efficient at fast voltage changes, the coupling of two coils must be perfect. This implies embedded windings. The volume occupied by the second coil reduces the efficiency of the main coil and results in higher coil power consumption. This method cannot be applied efficiently to products not specifically designed for this purpose.

### The resistor (parallel with the coil)

For efficient action, the resistor must be of the same order of magnitude as the coil resistance. A resistor 1.5 times the coil resistance will limit the surge to 1.5 times the supply voltage. Release time and opening speed are moderately affected. The major problem is the extra power dissipated.

### **Semi-conductor devices**

#### The diode

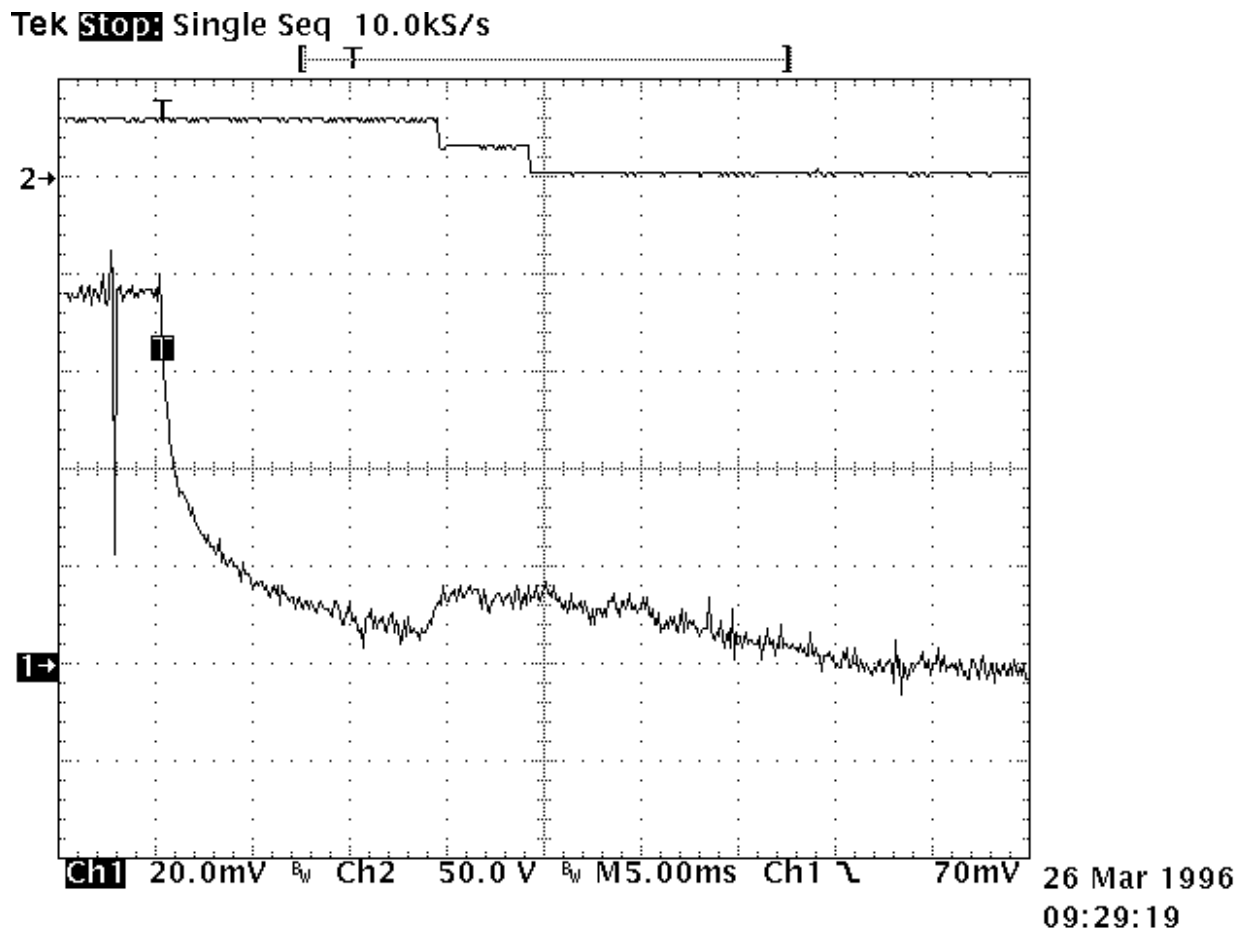
It is the most simple method to totally suppress the surge voltage. It has the major disadvantage of the higher reduction of contact opening speed. This is due to the total recycling, through the diode, of the energy contained in the coil itself. The following measurement is performed once again on the same relay. Operation times are given by the upper curve:

- time to start the movement 14ms
- transfer time 5ms

These times are multiplied by a coefficient from 4 to 8.

The lower curve shows the coil current. The increase prior to NO contact opening indicates that the contact spring dissipates its energy. At the opening time the current becomes constant as a result of practically zero opening speed.

Due to this kind of behavior, this type of suppression must be avoided for power relays. For small relays which have to switch low currents of less than 0.2 A, degradation of life is not that significant and the method may be acceptable.



The diode + resistor network

It eliminates the inconvenience of the resistor alone, explained above, and it limits the action of a single diode. It is now preferred to use the diode + zener network.

The diode + zener network

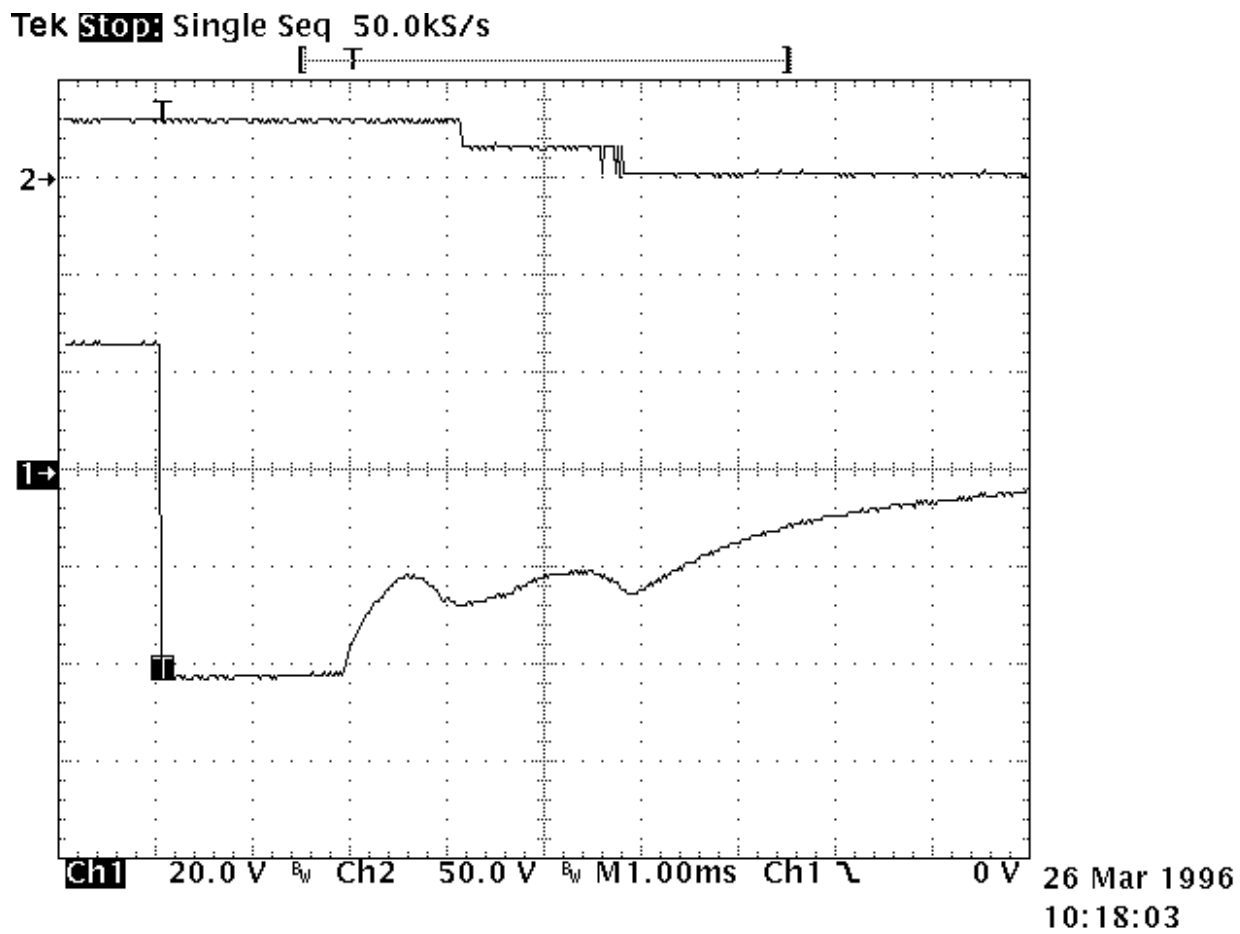
Like the resistor, the zener allows a faster decurrent decay. In addition it introduces a threshold level for current conduction which avoids the recycling of energy released during contact movement.

The lower curve on the opposite record demonstrates those characteristics. Voltage limitation occurs at 42V. The two voltage spikes generated by internal movement are at lower levels than zener conduction. As a result, no current is recycled in the coil.

The opening time phases are as follows:

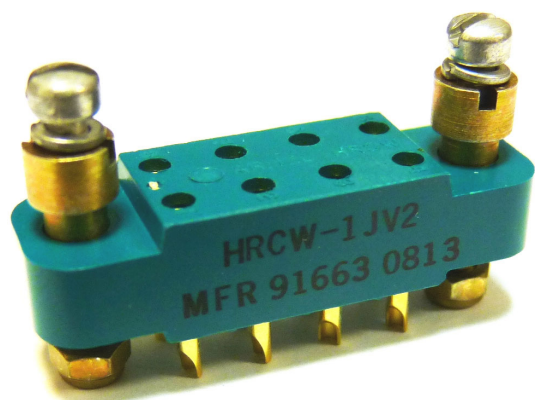
- time to start the movement 2.6ms
- total motion time 2.4ms
- transfer time 1.4ms

The release time is slightly increased. The contacts' opening speed remains unchanged.



# ENGINEERING DATA SHEET

# HRCW RELAY SOCKET 2 AMP



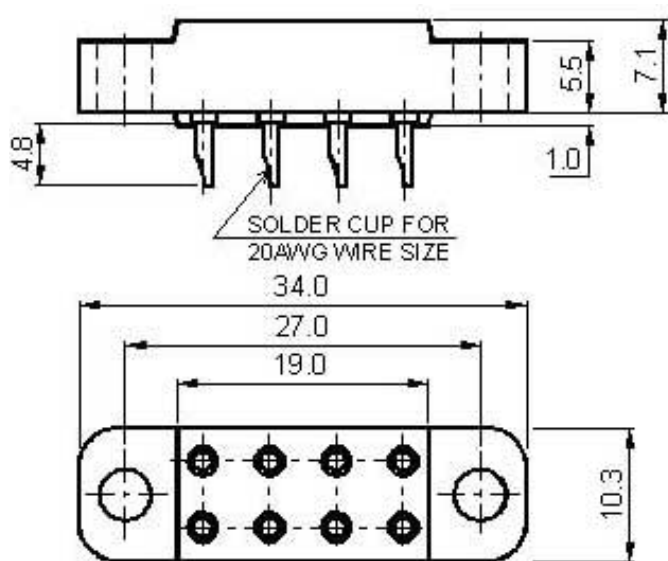
BASIC SOCKET SERIES DESIGNATION FOR:

**SERIES F250, F257, W260, GP5, and 144**

MEETS THE REQUIREMENTS OF:

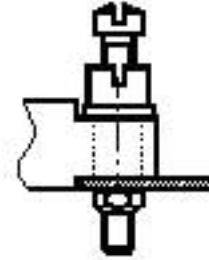
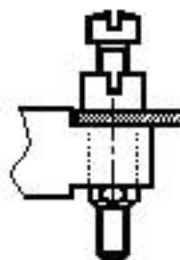
**MIL-S-12883**

## DIMENSIONS

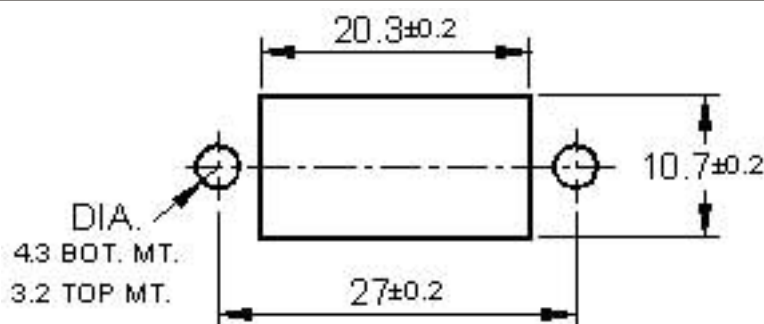


**HRCW-1JV2**  
BOTTOM MOUNT

**HRCW-22JV2**  
TOP MOUNT



PANEL THICKNESS: 1.6mm



## GENERAL CHARACTERISTICS

Supplied with mounting hardware.

Temperature range

-65°C to +125°C

Weight

10 grams

Dielectric Strength at sea level

1500 Vrms / 50 Hz Minimum

Gold plated contact per MIL-G-45204

Diallyl phthalate, glass-fiber filled per MIL-M-14



Featuring **LEACH**® power and control solutions  
www.esterline.com

**AMERICAS**  
6900 Orangethorpe Ave.  
P.O. Box 5032  
Buena Park, CA 90622

Tel: (01) 714-736-7599  
Fax: (01) 714-670-1145

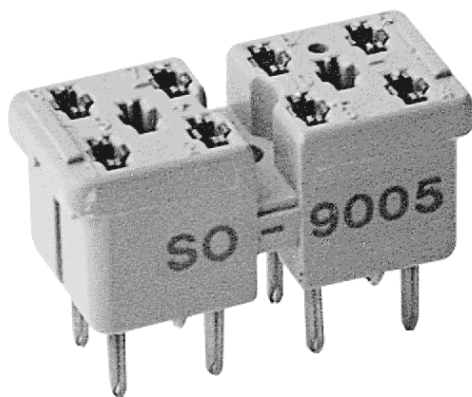
**EUROPE**  
2 Rue Goethe  
57430 Sarralbe  
France

Tel: (33) 3 87 97 31 01  
Fax: (33) 3 87 97 96 86

**ASIA**  
Units 602-603 6/F Lakeside 1  
No.8 Science Park West Avenue  
Phase Two, Hong Kong Science Park  
Pak Shek Kok, Tai Po, N.T.  
Hong Kong

Tel: (852) 2 191 3830  
Fax: (852) 2 389 5803

Data sheets are for initial product selection and comparison. Contact Esterline Power Systems prior to choosing a component.



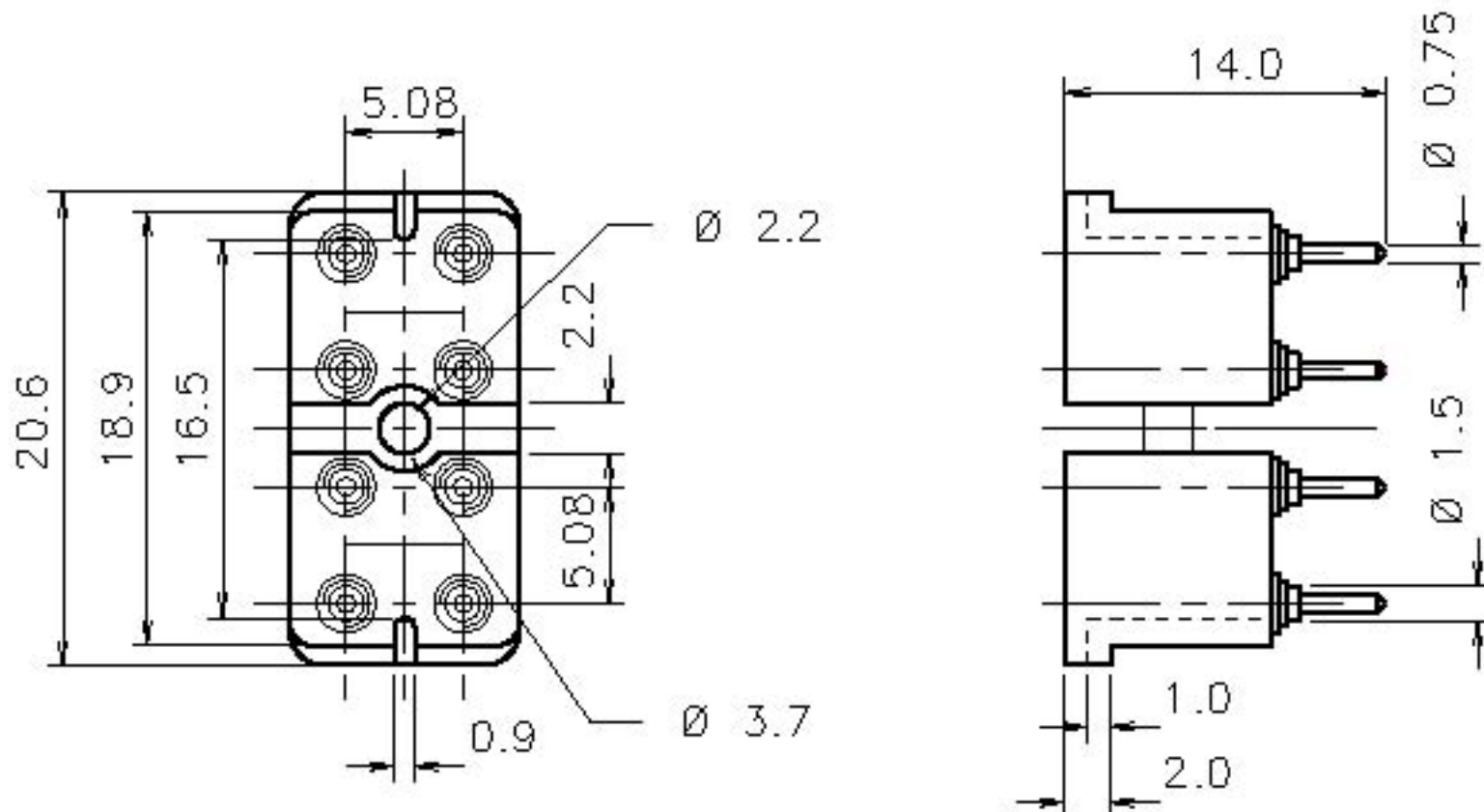
BASIC SOCKET SERIES DESIGNATION FOR:

**Series F250, F257, W260**

MEETS THE REQUIREMENTS OF:

**MIL-DTL-12883**

**DIMENSIONS**



**GENERAL CHARACTERISTICS**

Temperature range	-65°C to +125°C
Weight	10 grams
Terminal designations	On coupling face
Insulation resistance	1200 M Ω
Contact resistance	2 mΩ



Featuring **LEACH**® power and control solutions  
[www.esterline.com](http://www.esterline.com)

**AMERICAS**  
 6900 Orangethorpe Ave.  
 P.O. Box 5032  
 Buena Park, CA 90622

Tel: (01) 714-736-7599  
 Fax: (01) 714-670-1145

**EUROPE**  
 2 Rue Goethe  
 57430 Sarralbe  
 France

Tel: (33) 3 87 97 31 01  
 Fax: (33) 3 87 97 96 86

**ASIA**  
 Units 602-603 6/F Lakeside 1  
 No.8 Science Park West Avenue  
 Phase Two, Hong Kong Science Park  
 Pak Shek Kok, Tai Po, N.T.  
 Hong Kong

Tel: (852) 2 191 3830  
 Fax: (852) 2 389 5803

Data sheets are for initial product selection and comparison. Contact Esterline Power Systems prior to choosing a component.