

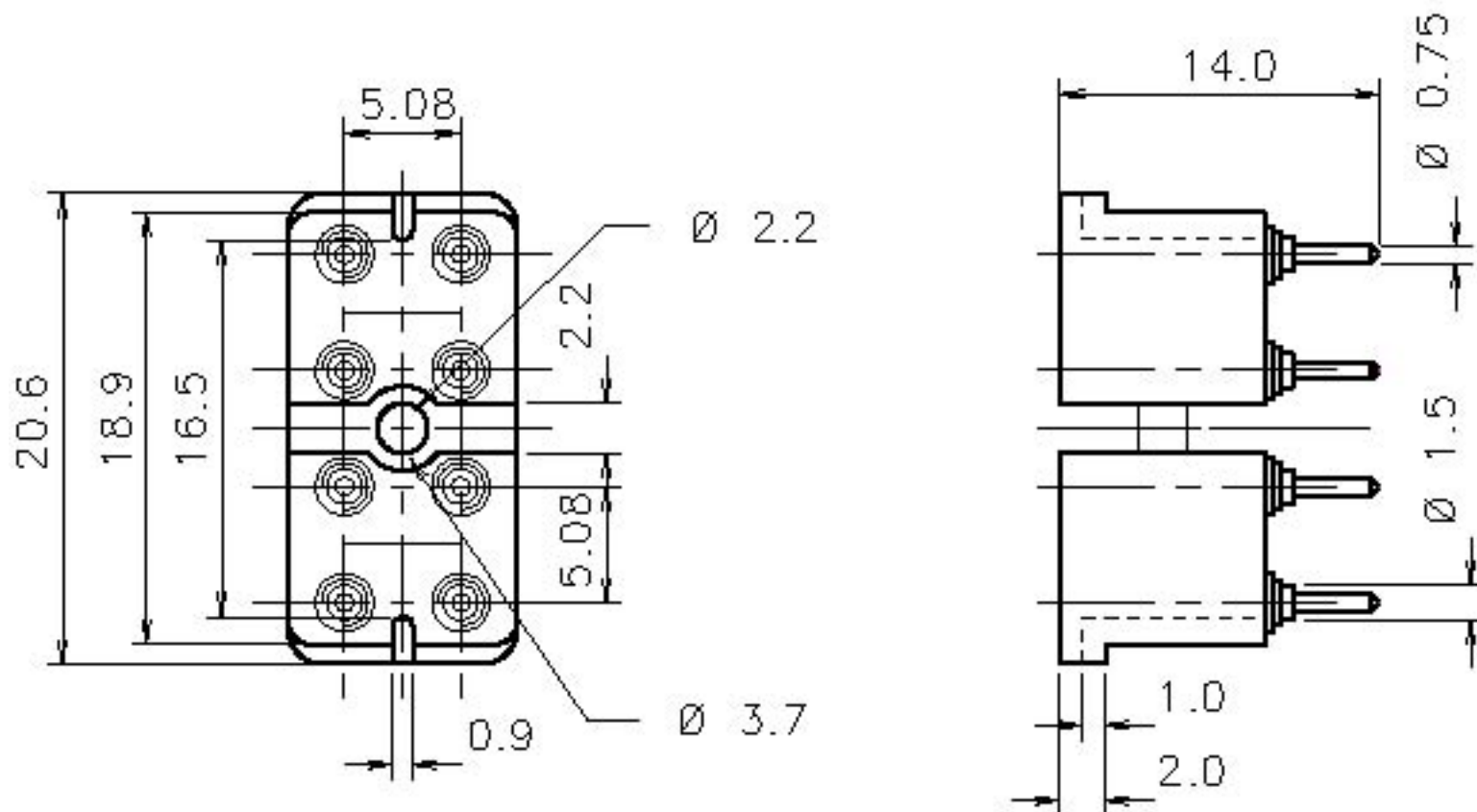
BASIC SOCKET SERIES DESIGNATION FOR:

**Series F250, F257, W260**

MEETS THE REQUIREMENTS OF:

**MIL-DTL-12883**

**DIMENSIONS**



**GENERAL CHARACTERISTICS**

Temperature range	-65°C to +125°C
Weight	10 grams
Terminal designations	On coupling face
Insulation resistance	1200 M Ω
Contact resistance	2 mΩ



Featuring **LEACH**® power and control solutions  
[www.esterline.com](http://www.esterline.com)

**AMERICAS**  
 6900 Orangethorpe Ave.  
 P.O. Box 5032  
 Buena Park, CA 90622

Tel: (01) 714-736-7599  
 Fax: (01) 714-670-1145

**EUROPE**  
 2 Rue Goethe  
 57430 Sarralbe  
 France

Tel: (33) 3 87 97 31 01  
 Fax: (33) 3 87 97 96 86

**ASIA**  
 Units 602-603 6/F Lakeside 1  
 No.8 Science Park West Avenue  
 Phase Two, Hong Kong Science Park  
 Pak Shek Kok, Tai Po, N.T.  
 Hong Kong

Tel: (852) 2 191 3830  
 Fax: (852) 2 389 5803

Data sheets are for initial product selection and comparison. Contact Esterline Power Systems prior to choosing a component.