

# ENGINEERING DATA SHEET

# SO-1064-001

RELAY SOCKET  
5 AMP



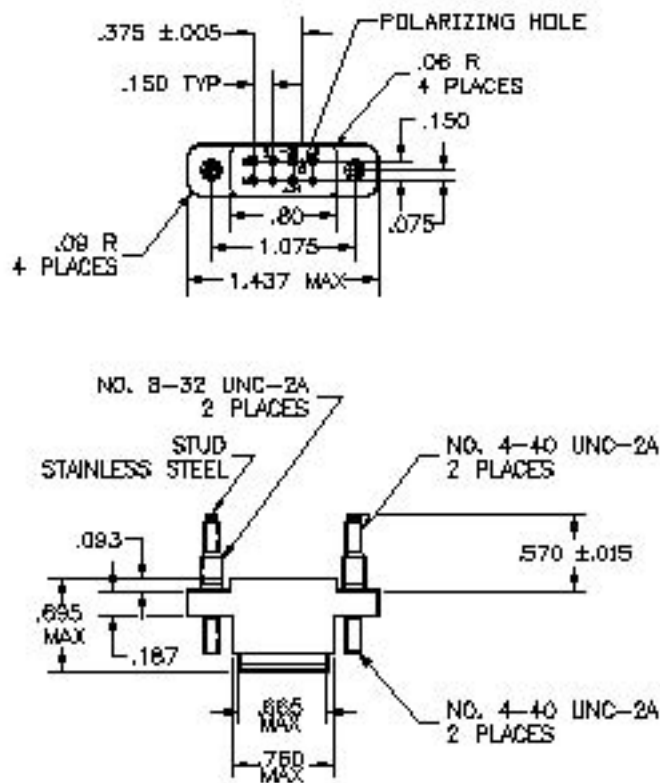
BASIC SOCKET SERIES DESIGNATION FOR:

**Series X**

MEETS THE REQUIREMENTS OF:

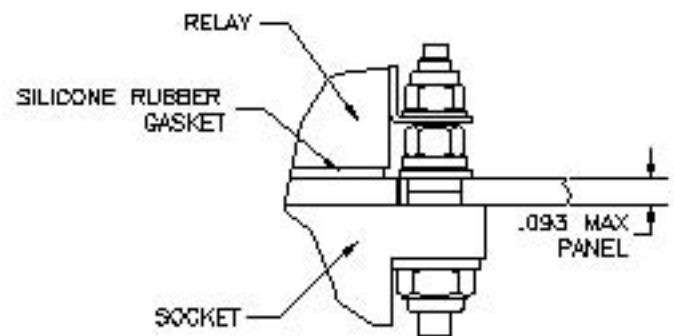
**MIL-DTL-12883**

## SOCKET DRAWING

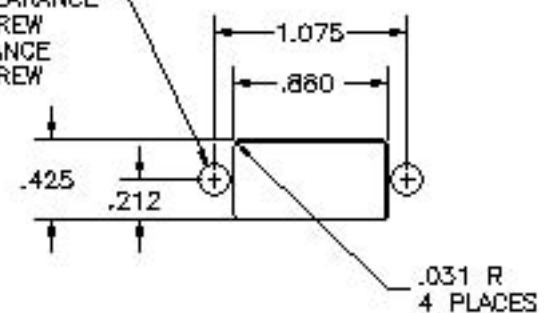


## HARDWARE MOUNTING

MOUNTING DETAIL 2 PLACES



BOTTOM MOUNT—CLEARANCE  
HOLE FOR .164 SCREW  
TOP MOUNT—CLEARANCE  
HOLE FOR .112 SCREW



STD. TOL. +.005  
MOUNTING DIMENSIONS

## GENERAL CHARACTERISTICS

1. Supplied with mounting hardware and No. 20 contacts and No. 20 crimp.

2. Standard tolerances

.xx ±.01; xxx ±.005

3. Weight

.030 lb. max

4. Temperature range

-70° C to +125° C



Featuring **LEACH**® power and control solutions  
www.esterline.com

**AMERICAS**  
6900 Orangethorpe Ave.  
P.O. Box 5032  
Buena Park, CA 90622

**EUROPE**  
2 Rue Goethe  
57430 Sarralbe  
France

**ASIA**  
Units 602-603 6/F Lakeside 1  
No.8 Science Park West Avenue  
Phase Two, Hong Kong Science Park  
Pak Shek Kok, Tai Po, N.T.  
Hong Kong

Tel: (01) 714-736-7599  
Fax: (01) 714-670-1145

Tel: (33) 3 87 97 31 01  
Fax: (33) 3 87 97 96 86

Tel: (852) 2 191 3830  
Fax: (852) 2 389 5803

Data sheets are for initial product selection and comparison. Contact Esterline Power Systems prior to choosing a component.