

ENGINEERING DATA SHEET

SO-1063-9036

RELAY SOCKET
25 AMP



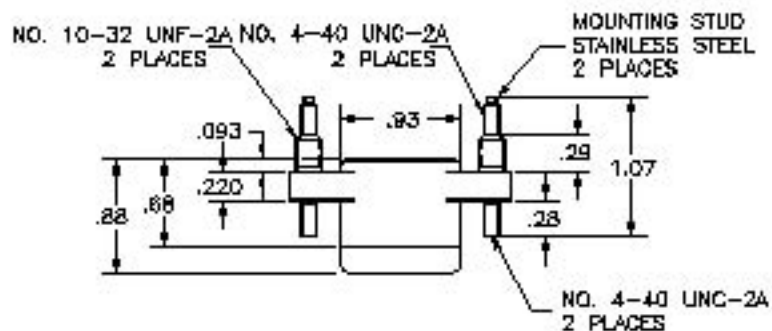
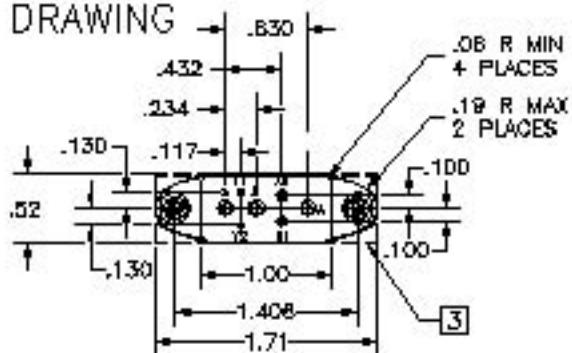
BASIC SOCKET SERIES DESIGNATION FOR:

Series JCL

MEETS THE REQUIREMENTS OF:

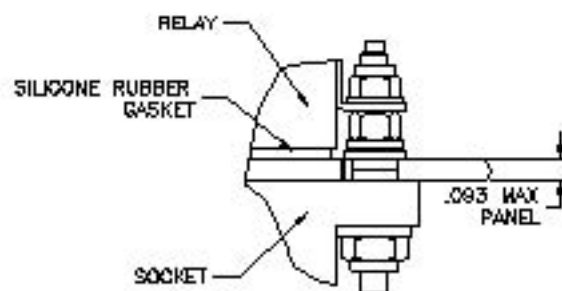
MIL-DTL-12883

SOCKET DRAWING

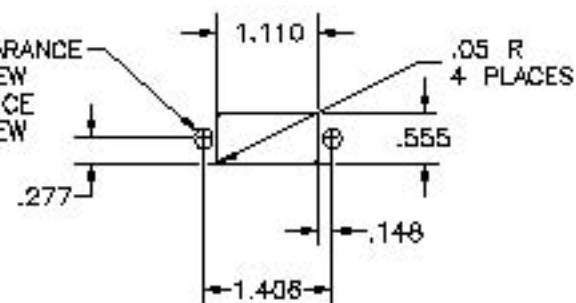


HARDWARE MOUNTING

MOUNTING DETAIL 2 PLACES



BOTTOM MOUNT—CLEARANCE
HOLE FOR .192 SCREW
TOP MOUNT—CLEARANCE
HOLE FOR .112 SCREW



MOUNTING DIMENSIONS

GENERAL CHARACTERISTICS

1. Supplied with mounting hardware and No. 12 contacts and crimp for power terminals; No. 16 contacts and crimp for X coil; No. 22 contacts and crimp for Y coil.

2. Standard tolerances

.xx ±.01; xxx ±.005

[3] Shape optional.

4. Weight

.060 lb. max

5. Temperature range

-70° C to +125° C



Featuring **LEACH**® power and control solutions
www.esterline.com

AMERICAS
6900 Orangethorpe Ave.
P.O. Box 5032
Buena Park, CA 90622 USA

Tel: (01) 714-736-7599
Fax: (01) 714-670-1145

EUROPE
2 Rue Goethe
57430 Sarralbe
France

Tel: (33) 3 87 97 31 01
Fax: (33) 3 87 97 96 86

ASIA
Units 602-603 6/F Lakeside 1
No.8 Science Park West Avenue
Phase Two, Hong Kong Science
Park
Pak Shek Kok, Tai Po, N.T.
Hong Kong
Tel: (852) 2 191 3830
Fax: (852) 2 389 5803

Data sheets are for initial product selection and comparison. Contact Esterline Power Systems prior to choosing a component.