

ENGINEERING DATA SHEET

SO-1058-8913

RELAY SOCKET
25 AMP



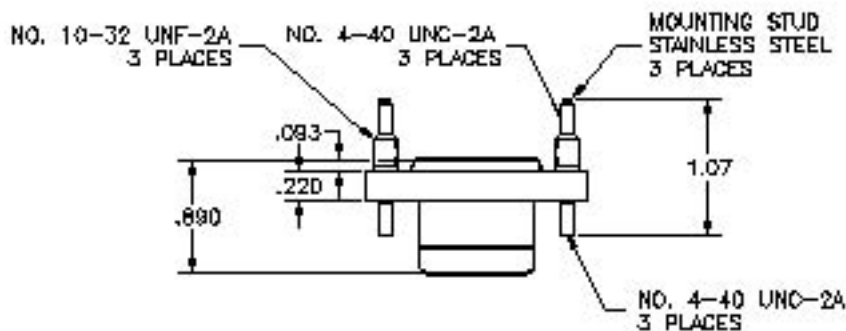
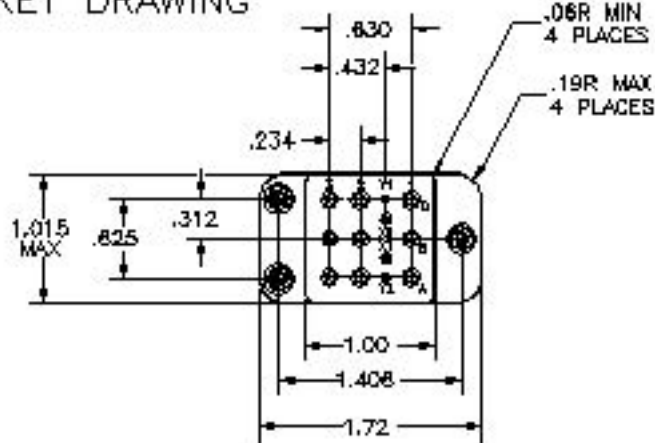
BASIC SOCKET SERIES DESIGNATION FOR:

Series KCL and T531

MEETS THE REQUIREMENTS OF:

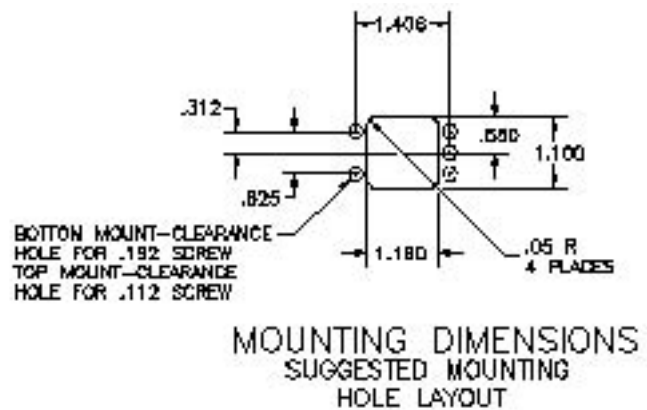
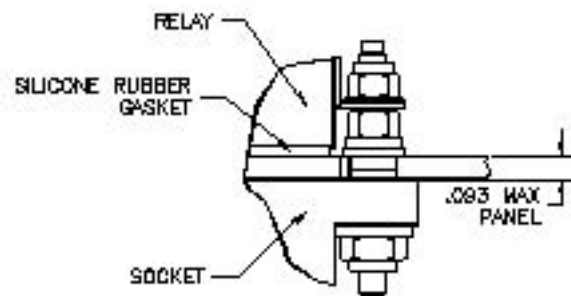
MIL-DTL-12883

SOCKET DRAWING



HARDWARE MOUNTING

MOUNTING DETAIL 3 PLACES



GENERAL CHARACTERISTICS

1. Supplied with mounting hardware No. 12, 16 and 20 contacts, No. 12, 16 and 20 crimps.

2. Standard tolerances .xx ±.01; xxx ±.005

3. Weight .120 lb. max

4. Temperature range -70° C to +125° C



Featuring **LEACH**® power and control solutions
www.esterline.com

AMERICAS
6900 Orangethorpe Ave.
P.O. Box 5032
Buena Park, CA 90622

Tel: (01) 714-736-7599
Fax: (01) 714-670-1145

EUROPE
2 Rue Goethe
57430 Sarralbe
France

Tel: (33) 3 87 97 31 01
Fax: (33) 3 87 97 96 86

ASIA
Units 602-603 6/F Lakeside 1
No.8 Science Park West Avenue
Phase Two, Hong Kong Science Park
Pak Shek Kok, Tai Po, N.T.
Hong Kong
Tel: (852) 2 191 3830
Fax: (852) 2 389 5803

Data sheets are for initial product selection and comparison. Contact Esterline Power Systems prior to choosing a component.